

For wood, concrete and steel attachments see Roof Anchorage Detail, Form No. CB-60.

STRUCTURALLY CALCULATED WELDED ROOF CURBS FOR YORK UNITS

ProVent P/N	A	WEIGHT
CBWCLXL08	8"	74 Lbs
CBWCLXL11	11"	85 Lbs
CBWCLXL14	14"	97 Lbs
CBWCLXL24	24"	171 Lbs

P*B ALL MODELS**

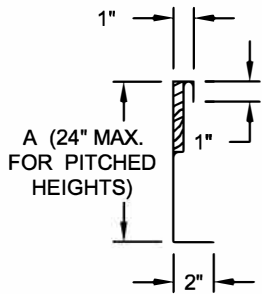
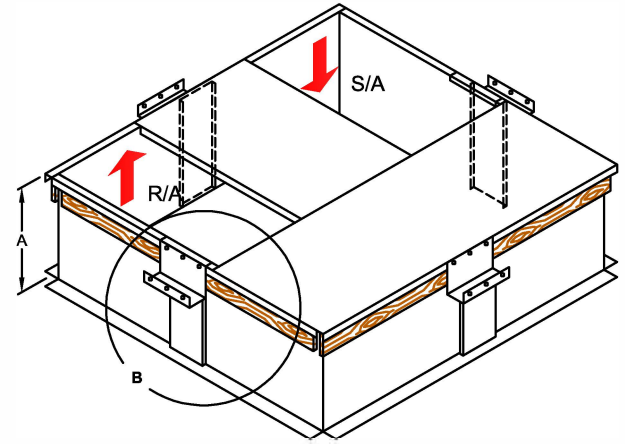
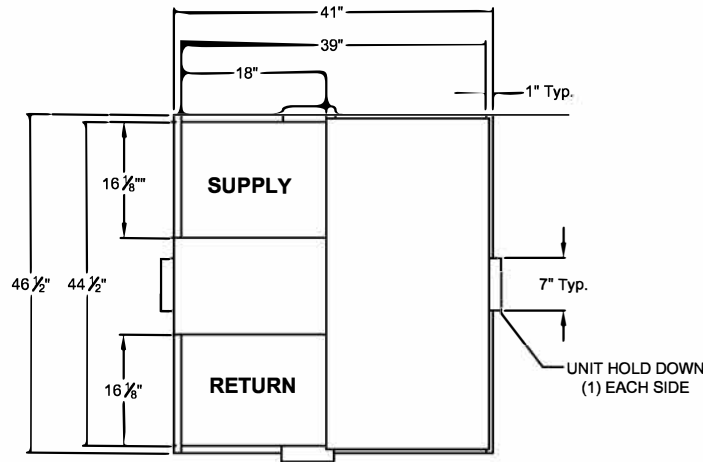
FEATURES

- Roof curb sides and ends are 16 ga. galvanized steel.
- Gasketing package provided.
- Heat treated wood nailer provided.
- Insulated deck pans provided.
- Pitched curbs and taller curbs are available.

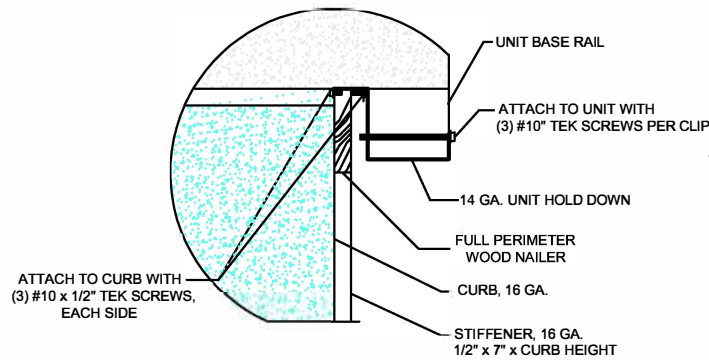
Meets seismic requirements for the following codes:
 CBC 2019
 IBC 2018

NOTES

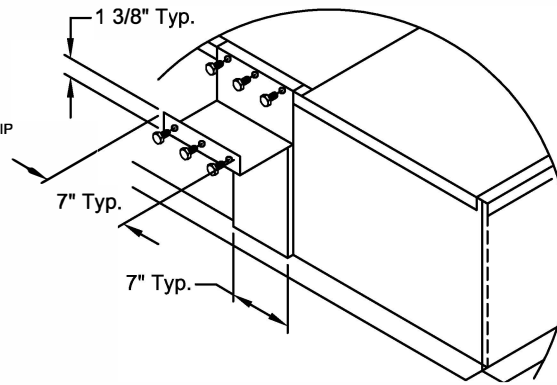
- Attach ductwork to roof curb. Flanges of duct rest on top of curb. Support ductwork below the curb.
- Thru the curbs utilities are available. Contact your York distributor or Provent directly.



CURB DETAIL



HOLD DOWN DETAIL



DETAIL B



3847 WABASH DRIVE
 MIRA LOMA, CA 91725

PHONE (951) 685-1101
 FAX (619) 872-9799

SUBMITTED TO: _____
 COMPANY: _____
 JOB NAME: _____
 EQUIPMENT: _____
 NOTES: _____

FORM NO:
 CBWC-119

DATE:
 3/26/2021

PART NUMBER:
 CBWCLXL SERIES

REV:
 6

DRAWN BY:
 ALL