

For wood, concrete and steel attachments see Roof Anchorage Detail, Form No. CB60.

FEATURES

- Roof curb sides and ends are 16 ga. galvanized steel.
- Gasketing package provided.
- Heat treated wood nailer provided.
- Pitched curbs and taller curbs are available.

NOTES

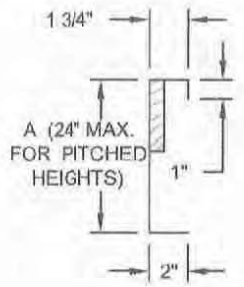
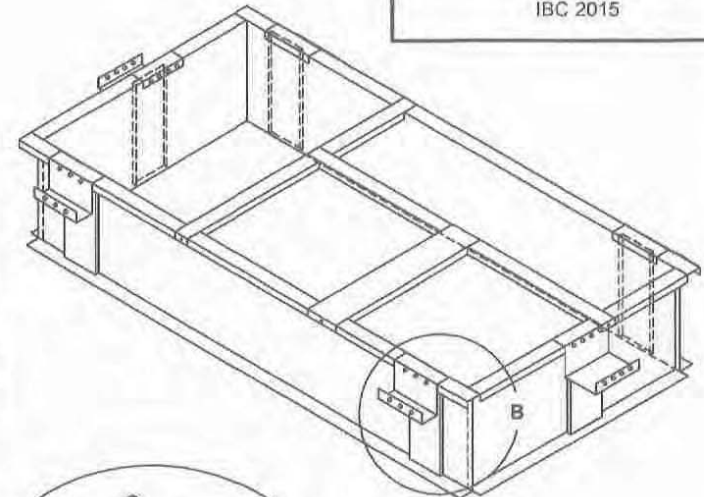
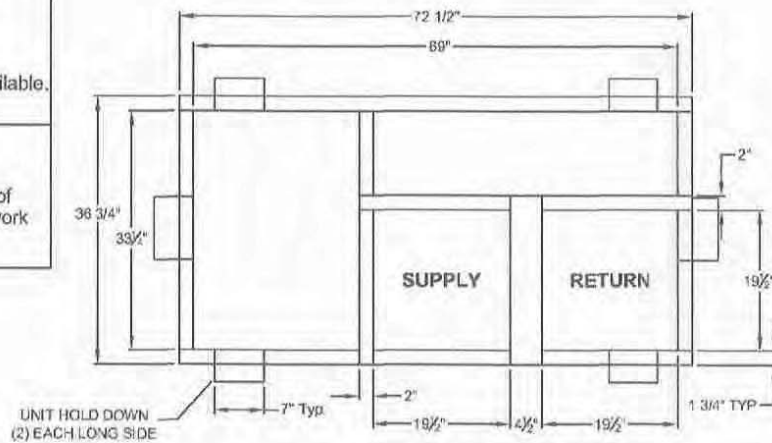
- Attach ductwork to roof curb. Flanges of duct rest on top of curb. Support ductwork below the curb.

STRUCTURALLY CALCULATED WELDED ROOF CURBS FOR YORK UNITS

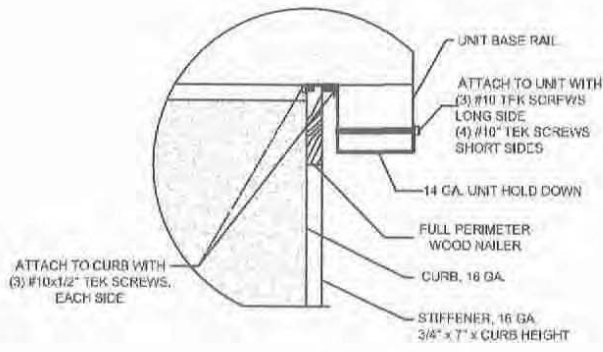
ZR 036-060, XP 036-060, ZF 036-072

ProVent P/N	A	WEIGHT
CBWCSUN367208	8"	80 Lbs
CBWCSUN367211	11"	95 Lbs
CBWCSUN367214	14"	109 Lbs
CBWCSUN367224	24"	189"

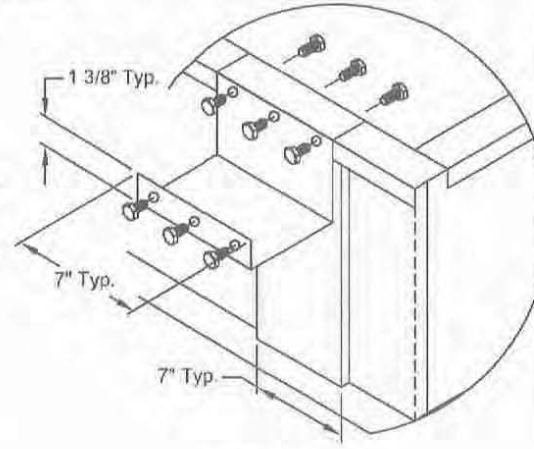
Meets seismic requirements for the following codes:
CBC 2016
IBC 2015



CURB DETAIL



HOLD DOWN DETAIL



DETAIL B



3847 WABASH DRIVE
MIRA LOMA, CA 91725

PHONE (951) 685-1101
FAX (619) 872-9799

SUBMITTED TO: _____
COMPANY: _____
JOB NAME: _____
EQUIPMENT: _____
NOTES: _____

FORM NO:
CBWC-112

DATE:
09/27/18

REV:
5

PART NUMBER:
CBWCSUN3672 SERIES

DRAWN BY:
ALL