

FEATURES

- Roof curb sides and ends are 16 ga. galvanized steel.
- Gasketing package provided.
- Heat treated wood nailer provided.
- Insulated deck pans provided.
- Pitched curbs and taller curbs are available.

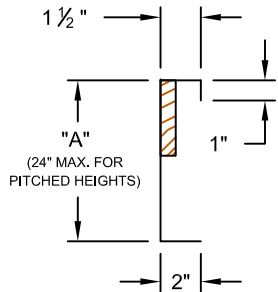
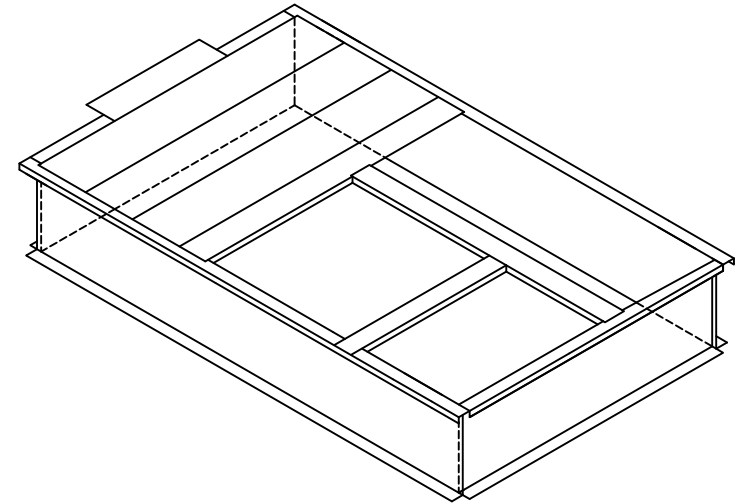
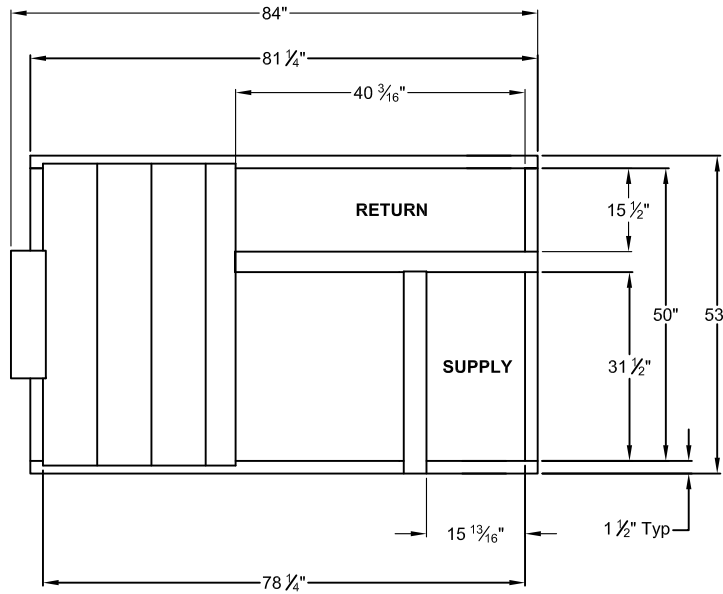
NOTES

- Attach ductwork to roof curb. Flanges of duct rest on top of curb. Support ductwork below the curb.
- Thru the curbs utilities are available. Contact your York distributor or Provent directly.

WELDED ROOF CURBS FOR YORK UNITS

ZX, ZY 08-12; ZX 14; ZY 07

ProVent P/N	"A"	WEIGHT
CBWPRL08	8"	115 Lbs
CBWPRL11	11"	129 Lbs
CBWPRL14	14"	144 Lbs
CBWPRL24	24"	192 Lbs



CURB DETAIL



3847 WABASH DR.
MIRA LOMA, CA 91725

PHONE (951) 685-1101
FAX (619) 872-9799

SUBMITTED TO: _____
COMPANY: _____
JOB NAME: _____
EQUIPMENT: _____
NOTES: _____

FORM NO:
CBW-301

DATE:
10/16/14

REV:
1

PART NUMBER:
CBWPRL SERIES

DRAWN BY:
FMM