

**FEATURES**

- Roof curb sides and ends are 16 ga. galvanized steel.
- Gasketing package provided.
- Heat treated wood nailer provided.
- Insulated deck pans provided.
- Pitched curbs and taller curbs are available.

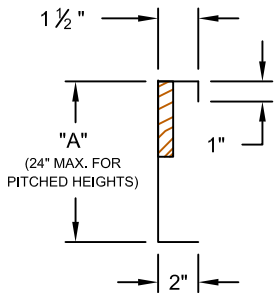
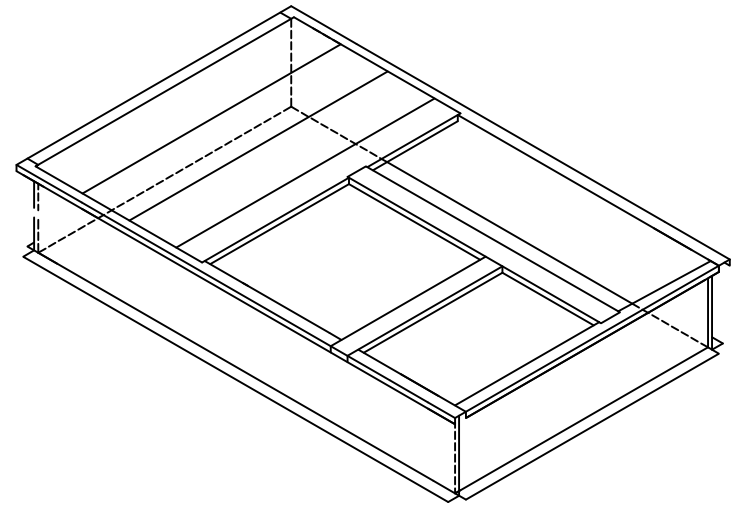
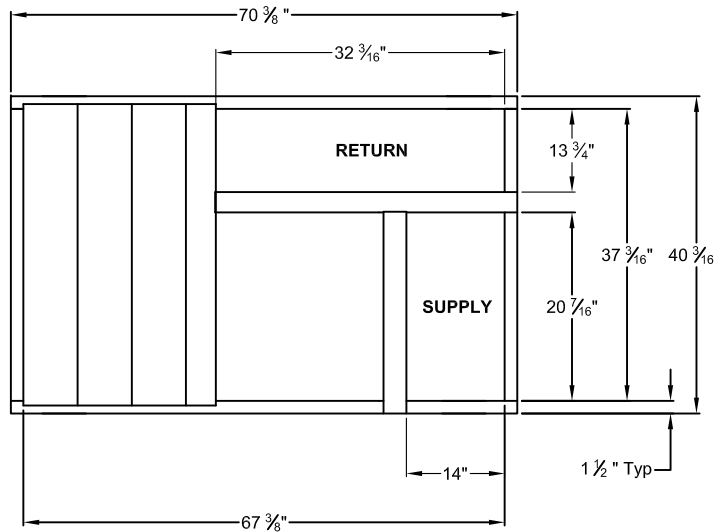
**NOTES**

- Attach ductwork to roof curb. Flanges of duct rest on top of curb. Support ductwork below the curb.
- Thru the curbs utilities are available. Contact your York distributor or Provent directly.

**WELDED ROOF CURBS FOR YORK UNITS**

**ZX, ZY, XY 04-06; ZX 07**

ProVent P/N	"A"	WEIGHT
CBWPRS08	8"	83 Lbs
CBWPRS11	11"	94 Lbs
CBWPRS14	14"	105 Lbs
CBWPRS24	24"	144 Lbs



3847 WABASH DR.  
MIRA LOMA, CA 91725  
  
PHONE (951) 685-1101  
FAX (619) 872-9799

SUBMITTED TO: \_\_\_\_\_  
COMPANY: \_\_\_\_\_  
JOB NAME: \_\_\_\_\_  
EQUIPMENT: \_\_\_\_\_  
NOTES: \_\_\_\_\_

FORM NO:  
CBW-300  
  
DATE:  
01/13/16

REV:  
2

PART NUMBER:  
CBWPRS SERIES  
  
DRAWN BY:  
FMM