

FEATURES:

- Roof curb sides and ends are GS90 galvanized steel.
- Gasketing package provided.
- Heat treated wood nailer provided.
- Insulated deck pans provided
- Pitched curbs and taller curbs are available

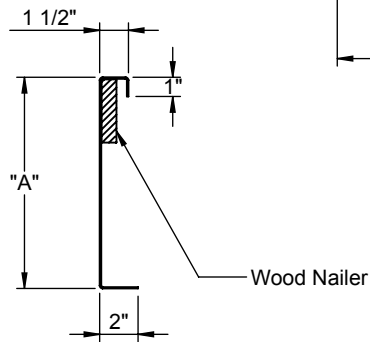
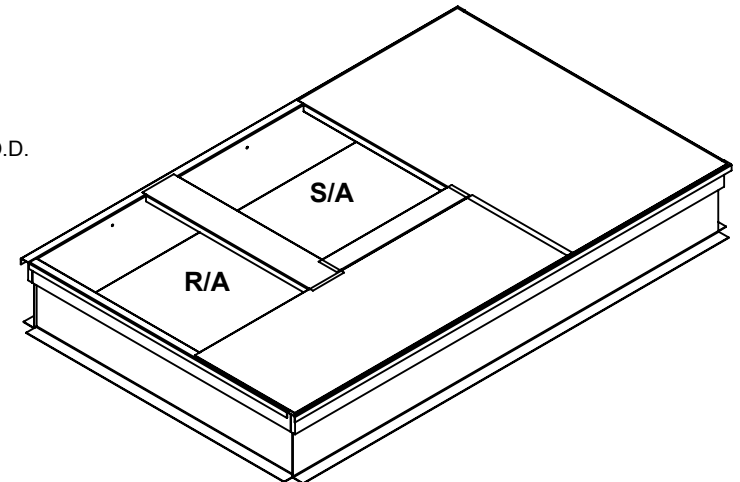
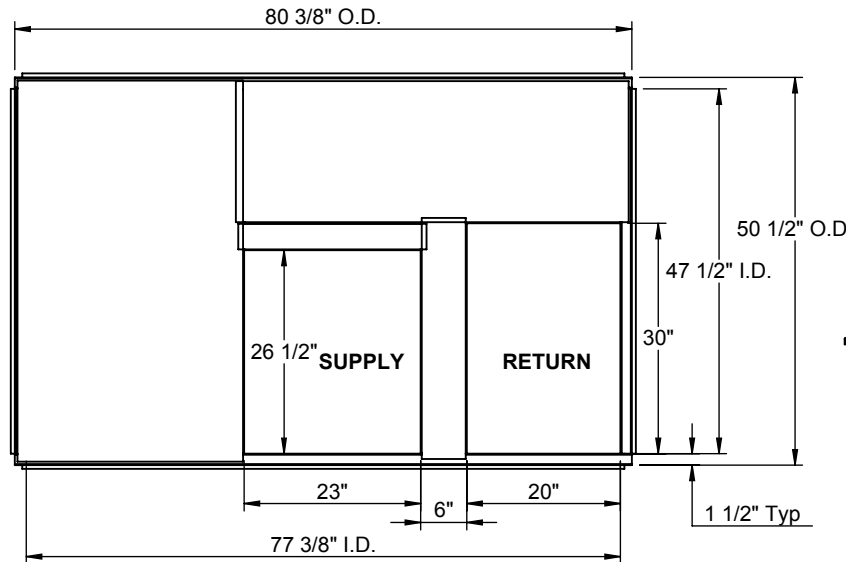
NOTES

- Attach ductwork to roof curb. Flanges of duct rest on top of the curb. Support ductwork below the curb.
- Thru the curb utilities are available. Contact your York distributor or Provent directly

WELDED ROOF CURB FOR YORK UNITS

ZH/ZJ 037, 049, 061
ZF/ZH/ZJ/ZR/XP/DH/DM/DF/DR/BP 078-150: DJ 150

PROVENT P/N	A	EST. WEIGHT
CBWPRD371508	8"	115 Lbs.
CBWPRD371511	11"	135 Lbs.
CBWPRD371514	14"	141 Lbs.
CBWPRD371524	24"	150 Lbs.



CURB DETAIL



3847 WABASH DRIVE
MIRA LOMA, CA 91752

PHONE (951) 685-1101
FAX (619) 872-9799

SUBMITTED TO: _____
COMPANY: _____
JOB NAME: _____
EQUIPMENT: _____
NOTES: _____

FORM NO:
CBW-106

PART NUMBER:
CBWPRD3715 SERIES

DATE:
7/21/2016

REV:
1

DRAWN BY:
ALL