

**FEATURES**

- Roof curb sides and ends are GS90 galvanized steel.
- Gasketing package provided.
- Heat treated wood nailer provided.
- Pitched curbs and taller curbs are available.

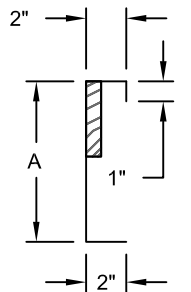
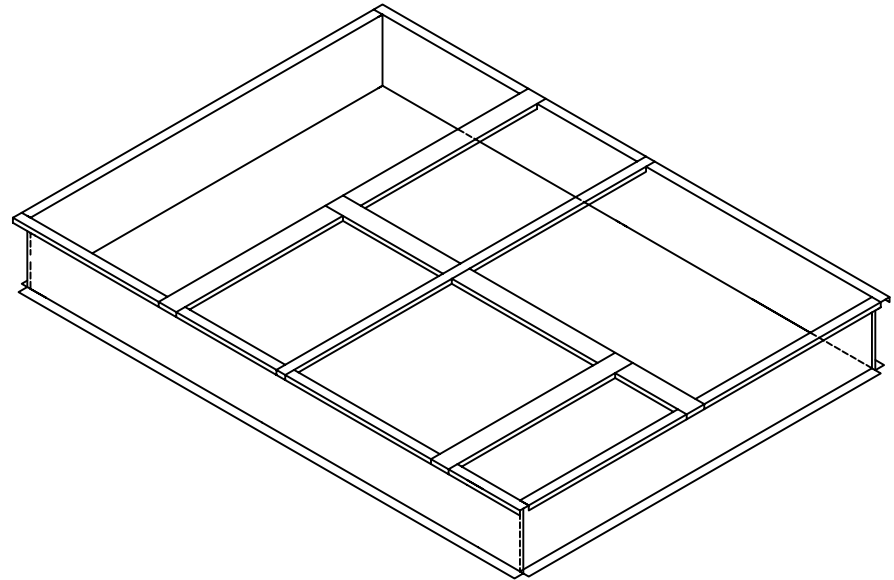
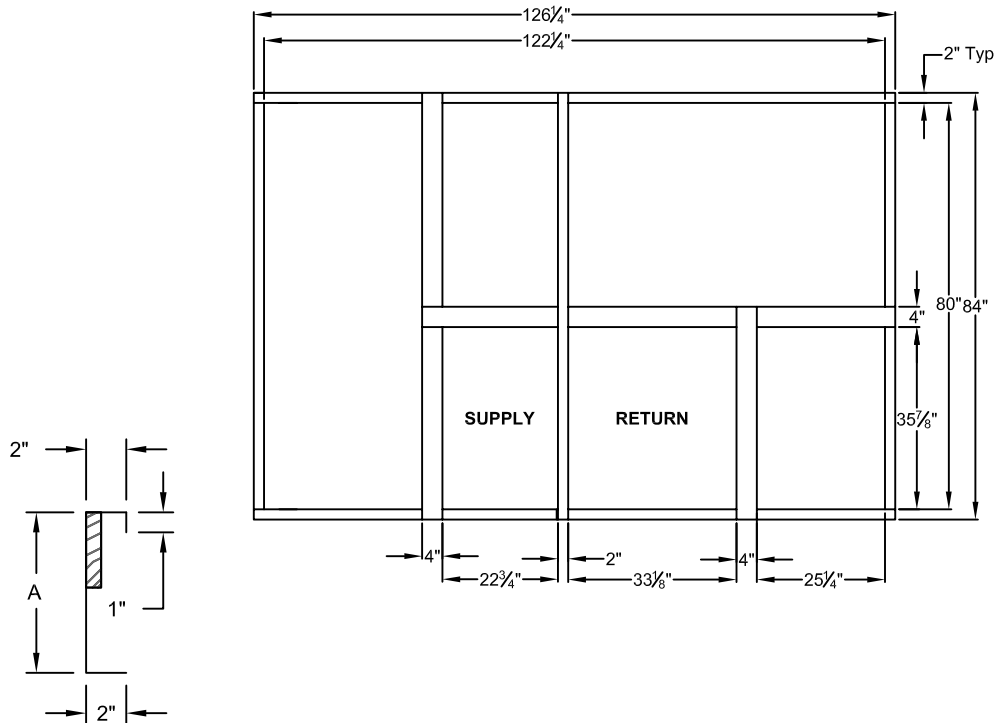
**NOTES**

- Attach ductwork to roof curb. Flanges of duct rest on top of curb. Support ductwork below the curb.

**WELDED ROOF CURBS FOR YORK UNITS**

**ZJ/DJ/ZR/WJ/DH/DR/WR/DM 180-300: ZF 210-300: BP/BQ 240**

ProVent P/N	A	WEIGHT
CBWSLM183008	8"	148 Lbs
CBWSLM183011	11"	159 Lbs
CBWSLM183014	14"	185 Lbs



1392 E. PALOMAR ST., # 403-234  
 CHULA VISTA, CA 91913  
 PHONE (619) 498-9246  
 FAX (619) 498-9247

SUBMITTED TO: \_\_\_\_\_  
 COMPANY: \_\_\_\_\_  
 JOB NAME: \_\_\_\_\_  
 EQUIPMENT: \_\_\_\_\_  
 NOTES: \_\_\_\_\_

FORM NO: CBW-105  
 DATE: 03/17/09

PART NUMBER: CBWSLM1830 SERIES  
 DRAWN BY: COC