

**FEATURES**

- Roof curb sides and ends are GS90 galvanized steel.
- Gasketing package provided.
- Heat treated wood nailer provided.
- Pitched curbs and taller curbs are available.

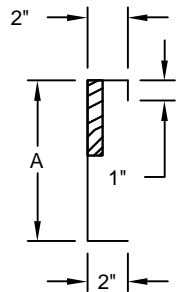
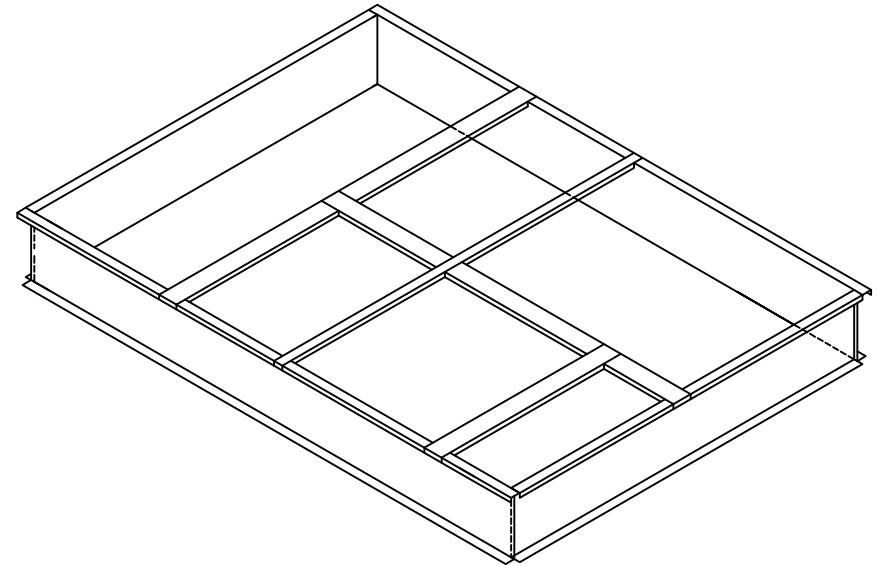
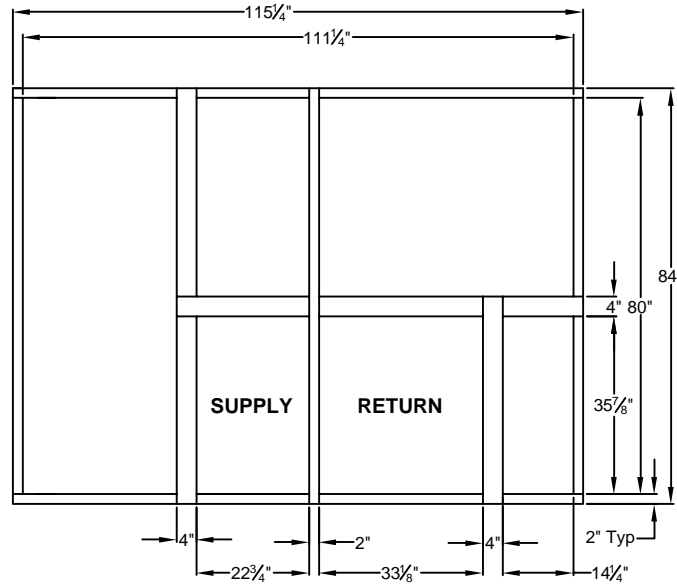
**NOTES**

- Attach ductwork to roof curb. Flanges of duct rest on top of curb. Support ductwork below the curb.

**WELDED ROOF CURBS FOR YORK UNITS**

**ZF/DH/DM/BP 180**

ProVent P/N	A	WEIGHT
CBWSLU18008	8"	140 Lbs
CBWSLU18011	11"	152 Lbs
CBWSLU18014	14"	177 Lbs



R:\ProVent Logo\PROVENT\_LOGO\_CUT.jpg

1392 E. PALOMAR ST., # 403-234  
 CHULA VISTA, CA 91913  
 PHONE (619) 498-9246  
 FAX (619) 498-9247

SUBMITTED TO: \_\_\_\_\_  
 COMPANY: \_\_\_\_\_  
 JOB NAME: \_\_\_\_\_  
 EQUIPMENT: \_\_\_\_\_  
 NOTES: \_\_\_\_\_

FORM NO:  
 CBW-104  
 DATE:  
 12/04/08

PART NUMBER:  
 CBWSLU180 SERIES  
 DRAWN BY:  
 COC