

FEATURES

- Roof curb sides and ends are GS90 galvanized steel.
- Gasketing package provided.
- Heat treated wood nailer provided.
- Insulated deck pans provided.
- Pitched curbs and taller curbs are available.

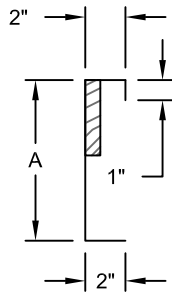
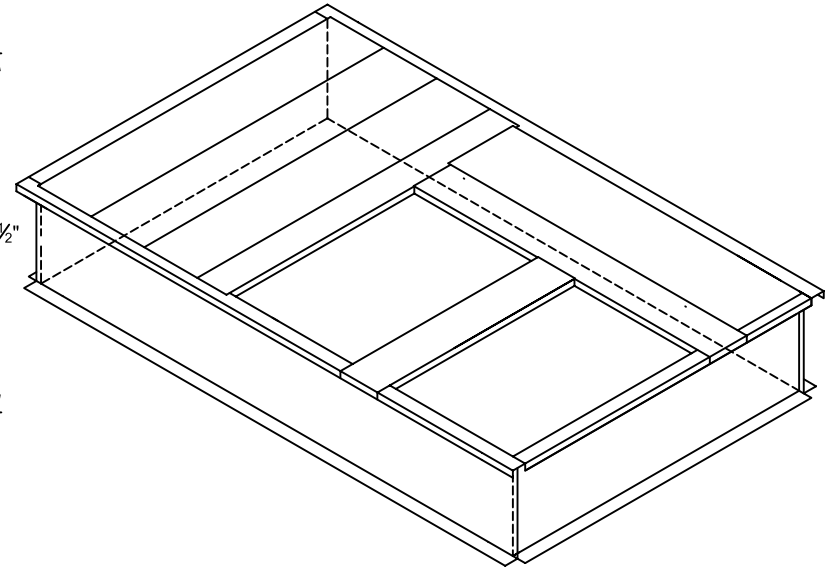
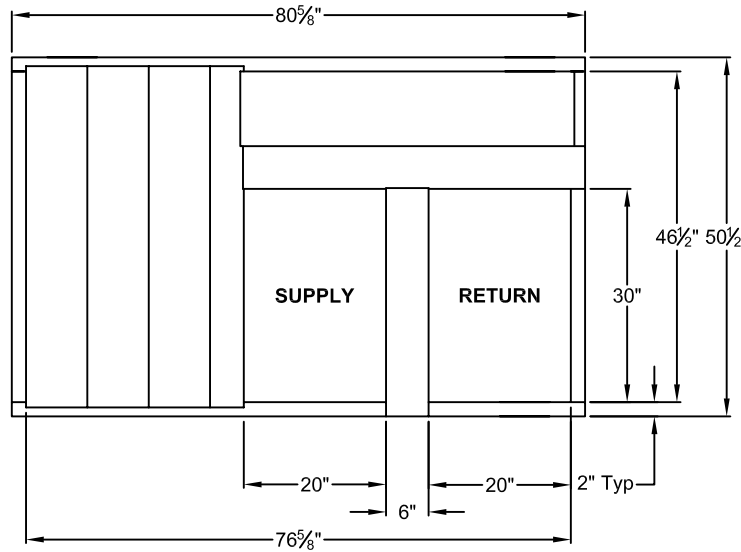
NOTES

- Attach ductwork to roof curb. Flanges of duct rest on top of curb. Support ductwork below the curb.
- Thru the curbs utilities are available. Contact your York distributor or Provent directly.

WELDED ROOF CURBS FOR YORK UNITS

ZH/ZR/XP/DH/DM/DF/DR/BP 078-150: DJ 150

ProVent P/N	A	WEIGHT
CBWPRD781508	8"	115 Lbs
CBWPRD781511	11"	135 Lbs
CBWPRD781514	14"	141 Lbs



CURB DETAIL



1392 E. PALOMAR ST., # 403-234
 CHULA VISTA, CA 91913
 PHONE (619) 498-9246
 FAX (619) 498-9247

SUBMITTED TO: _____
 COMPANY: _____
 JOB NAME: _____
 EQUIPMENT: _____
 NOTES: _____

FORM NO:
 CBW-103
 DATE:
 04/12/08

PART NUMBER:
 CBWPRD7815 SERIES
 DRAWN BY:
 COC