

FEATURES

- Roof curb sides and ends are GS90 galvanized steel.
- Gasketing package provided.
- Heat treated wood nailer provided.
- Insulated deck pans provided.
- Pitched curbs and taller curbs are available.

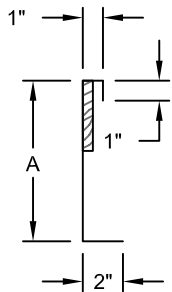
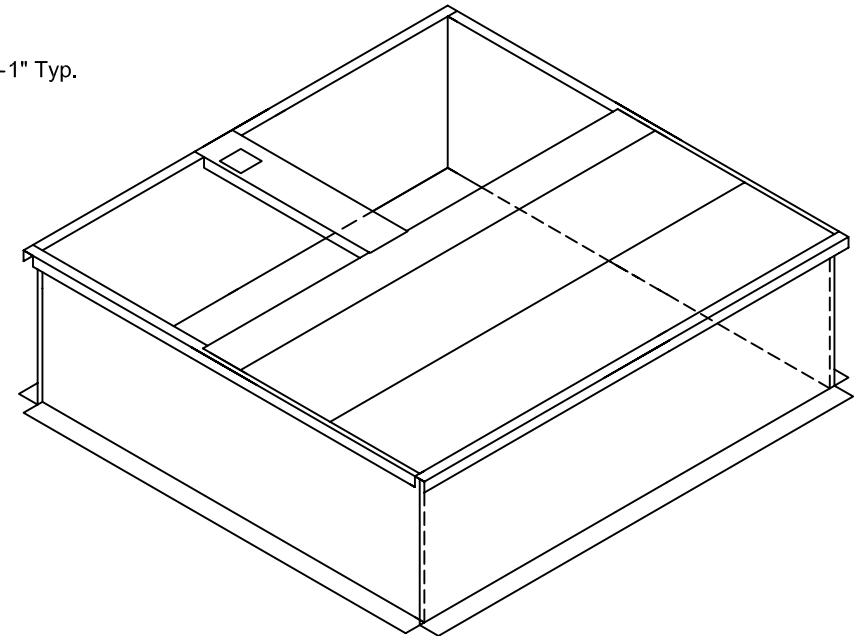
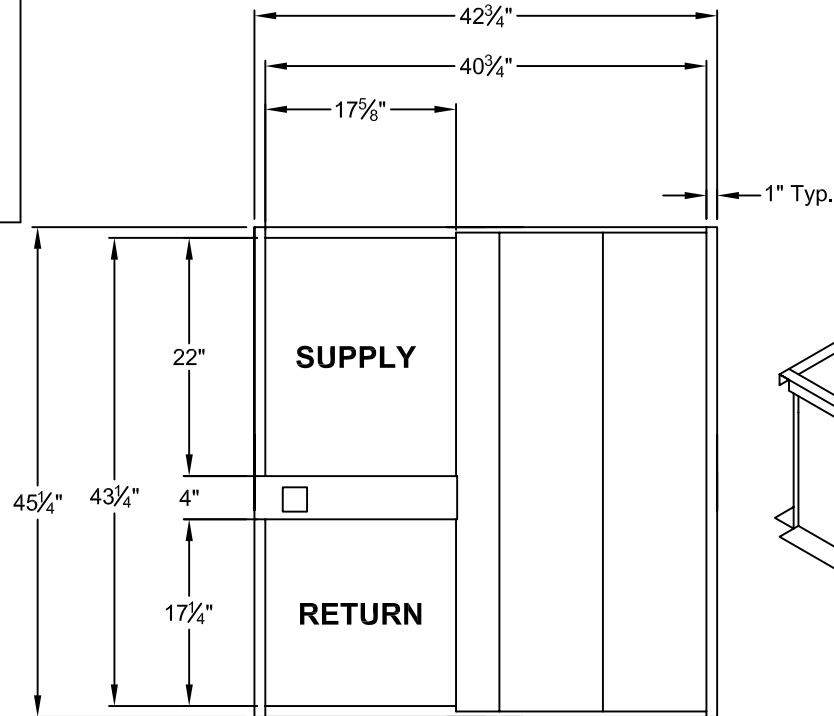
NOTES

- Attach ductwork to roof curb. Flanges of duct rest on top of curb. Support ductwork below the curb.
- Thru the curbs utilities are available. Contact your York distributor or Provent directly.

WELDED ROOF CURBS FOR YORK UNITS

DEB/DNZ/DEZ/DNP/DEM/BHH/BHA/BHZ/BHP 018-060:
DEX/DNH/DEH/DNA/DNY/DNX/BHX 024-060: DEY 060

ProVent P/N	A	WEIGHT
CBWAFF186008	8"	65 Lbs
CBWAFF186011	11"	74 Lbs
CBWAFF186014	14"	85 Lbs



CURB DETAIL



1392 E. PALOMAR ST., # 403-234
 CHULA VISTA, CA 91913

PHONE (619) 498-9246
 FAX (619) 498-9247

SUBMITTED TO: _____
 COMPANY: _____
 JOB NAME: _____
 EQUIPMENT: _____
 NOTES: _____

FORM NO:
 CBW-101

DATE:
 12/04/08

PART NUMBER:
 CBWAFF1860 SERIES

DRAWN BY:
 COC