

For wood, concrete and steel attachments see Roof Anchorage Detail, Form No. CB-26.	CALCULATED WIND AND SEISMIC ROOF CURBS FOR YORK UNITS	ProVent P/N	A	WEIGHT	CALCULATED KIT P/N	WEIGHT
		80-268-4914	14"	101 Lbs	80-266-4914	28 Lbs
		80-268-4918	18"	120 Lbs	80-266-4918	33 Lbs

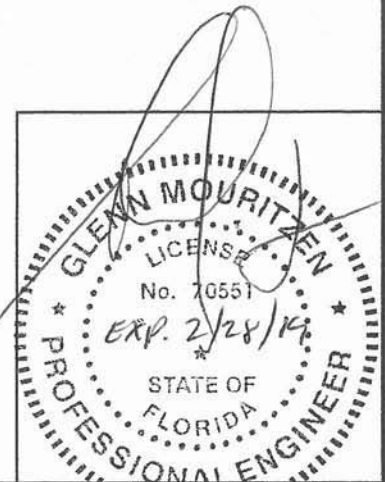
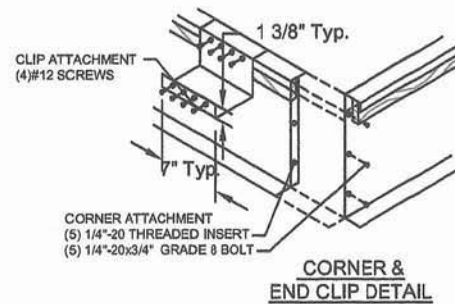
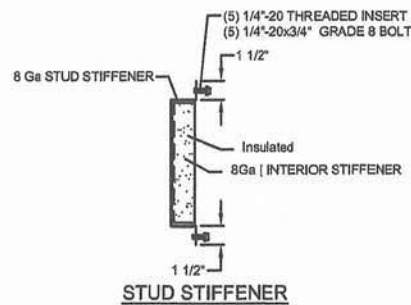
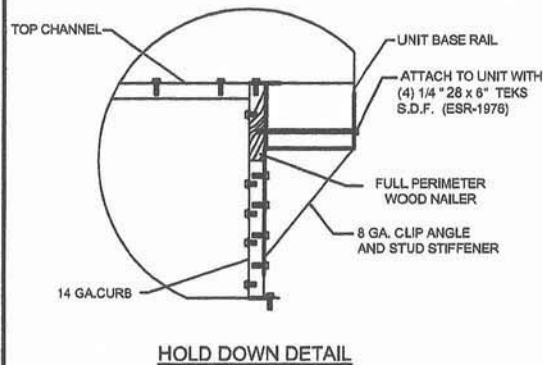
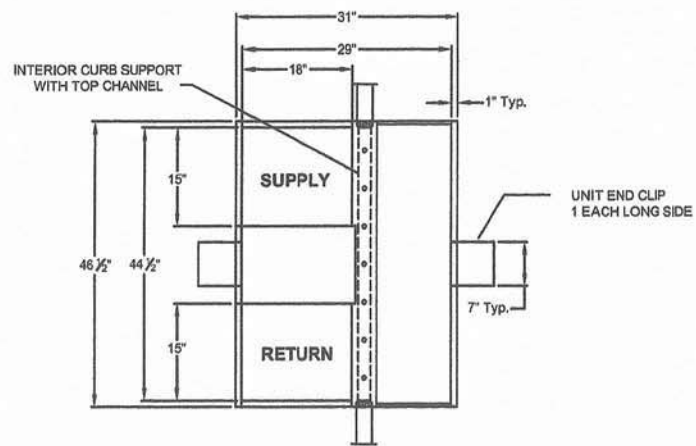
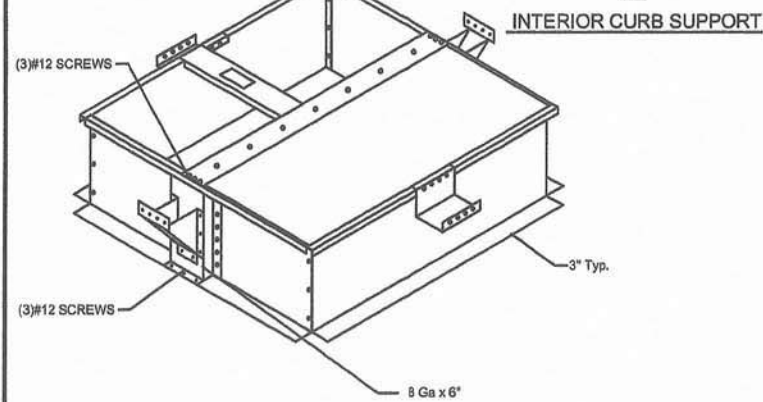
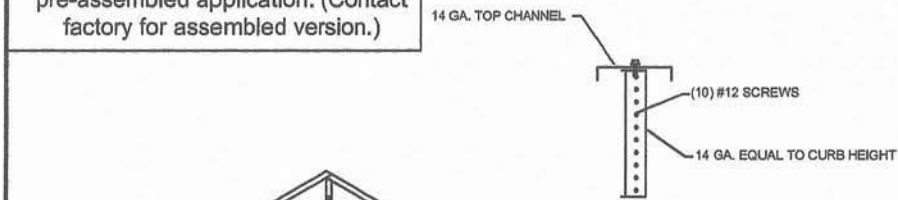
Will conform to wind load code requirements for knock-down or pre-assembled application. (Contact factory for assembled version.)

P*A ALL MODELS**

Meets wind, seismic requirements for the following codes:
FBC 2017
 based on ASCE 7-10.

Wind:
 190 mph exposure D category III or IV building, max BLDG height: 60 ft
 Kzt=1.00 max

Seismic:
 Sds=0.30 max
 Sd1=0.187 max
 Site Class D
 Importance Factor: Ip=1.5



	3847 WABASH DR. MIRA LOMA, CA 91725	SUBMITTED TO: _____	FORM NO: CBKD-160	PART NUMBER: 80-268-49
	PHONE (951) 685-1101 FAX (619) 872-9799	COMPANY: _____	DATE: 6/12/18	DRAWN BY: JG
		JOB NAME: _____	REV: 3	
		EQUIPMENT: _____		
		NOTES: _____		