

For wood, concrete and steel attachments see Roof Anchorage Detail, Form No. CB-26.

Will conform to wind load code requirements for knock-down or pre-assembled application. (Contact factory for assembled version.)

**CALCULATED WIND AND SEISMIC  
ROOF CURBS FOR YORK UNITS**

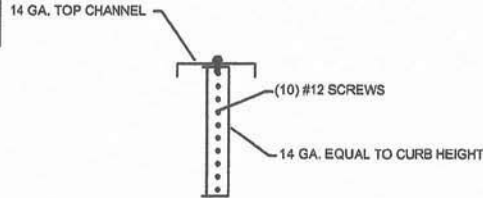
ProVent P/N	A	WEIGHT	CALCULATED KIT P/N	WEIGHT
80-268-5014	14"	111 Lbs	80-266-5014	28 Lbs
80-268-5018	18"	130 Lbs	80-266-5018	33 Lbs

**P\*\*\*B ALL MODELS**

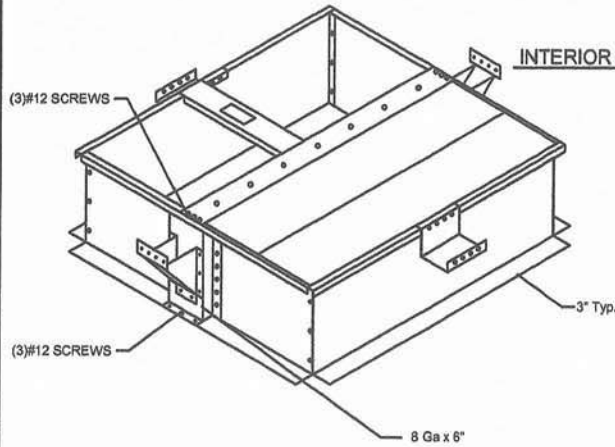
Meets wind, seismic requirements for the following codes:  
FBC 2017  
based on ASCE 7-10.

**Wind:**  
190 mph exposure D category III or IV building, max BLDG height: 60 ft  
Kzt=1.00 max

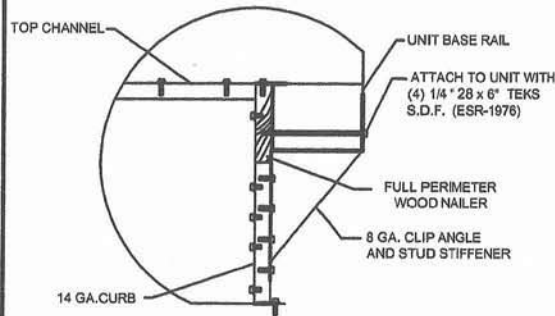
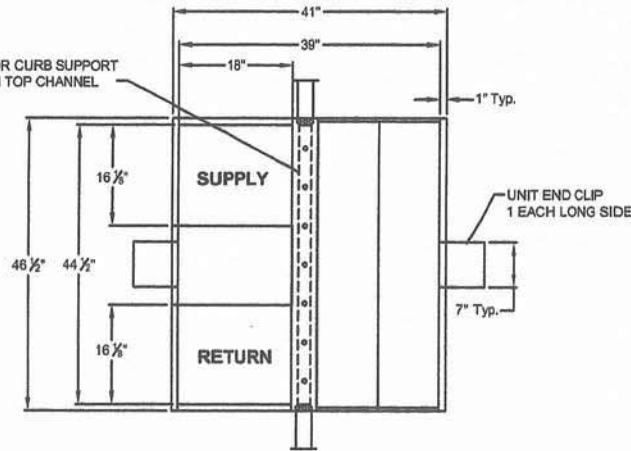
**Seismic:**  
Sds=0.30 max  
Sd1=0.187 max  
Site Class D  
Importance Factor: Ip=1.5



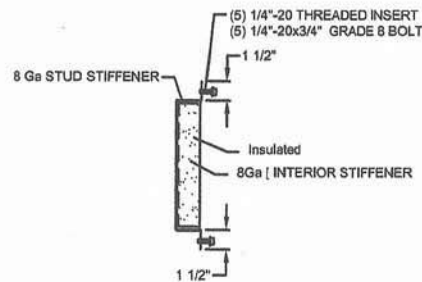
**INTERIOR CURB SUPPORT**



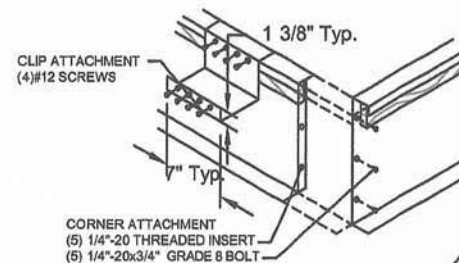
INTERIOR CURB SUPPORT WITH TOP CHANNEL



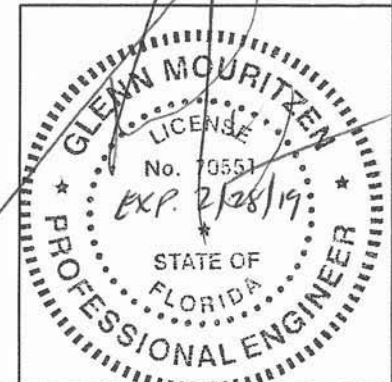
**HOLD DOWN DETAIL**



**STUD STIFFENER**



**CORNER & END CLIP DETAIL**



3847 WABASH DR.  
MIRA LOMA, CA 91725

PHONE (951) 685-1101  
FAX (619) 872-9799

SUBMITTED TO: \_\_\_\_\_  
COMPANY: \_\_\_\_\_  
JOB NAME: \_\_\_\_\_  
EQUIPMENT: \_\_\_\_\_  
NOTES: \_\_\_\_\_

FORM NO:  
CBKD-161

DATE:  
6/12/18

REV:  
3

PART NUMBER:  
80-268-50

DRAWN BY:  
JG