

For wood, concrete and steel attachments see Roof Anchorage Detail, Form No. CB-25A.

Will conform to wind load code requirements for knock-down or pre-assembled application. (Contact factory for assembled version.)

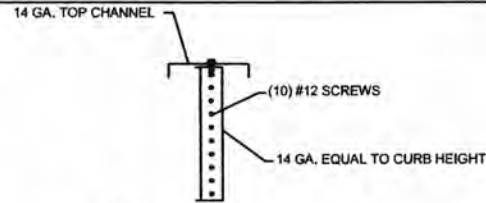
CALCULATED WIND ROOF CURBS FOR YORK UNITS

ZT, ZH, ZJ, ZR 037,049,061
ZF,ZH, ZJ, ZR, XP 078-150

ProVent P/N	A	WEIGHT
80-265-2914	14"	270 Lbs
80-265-2918	18"	350 Lbs

Meets wind requirements for the following codes:
FBC 2017
based on ASCE 7-10.

Wind:
185 mph exposure D category III or IV building, max BLDG height: 60 ft
Kzt=1.66max

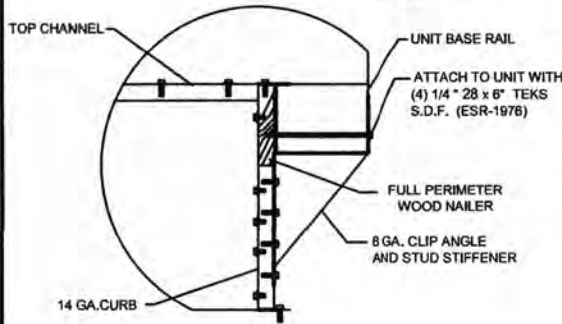
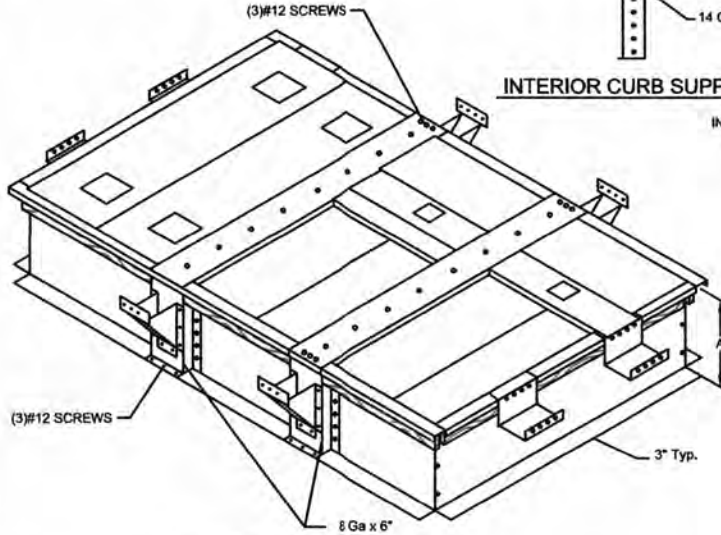
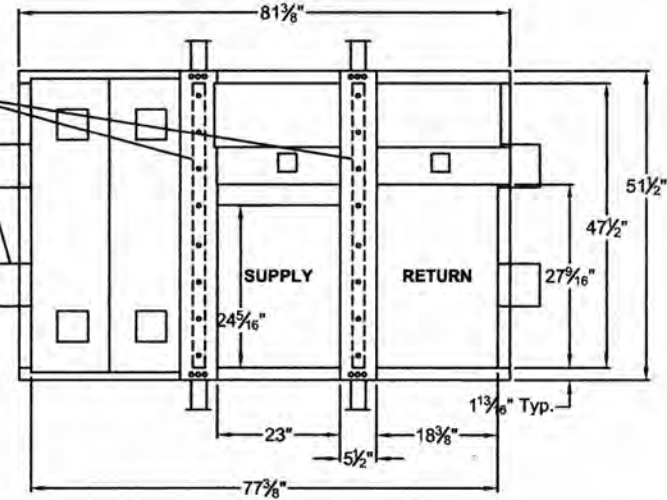


INTERIOR CURB SUPPORT

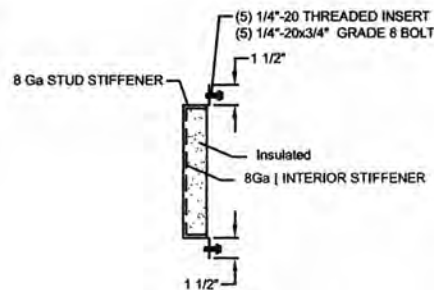
INTERIOR CURB SUPPORT WITH TOP CHANNEL

UNIT END CLIP
2 EACH SHORT SIDE

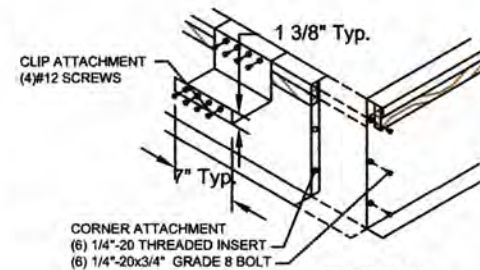
9" Typ.



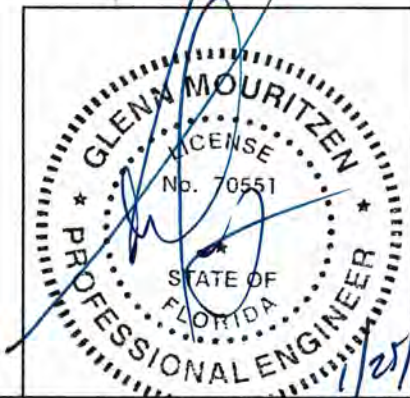
HOLD DOWN DETAIL



STUD STIFFENER



CORNER & END CLIP DETAIL



1625 DIPLOMAT DRIVE
CARROLTON, TX 75006

PHONE (972) 247-7447
FAX (972) 243-0940

SUBMITTED TO: _____
COMPANY: _____
JOB NAME: _____
EQUIPMENT: _____
NOTES: _____

FORM NO:
CBKD-95A

DATE:
01/16/19

REV:
1

PART NUMBER:
80-265-29

DRAWN BY:
ALL