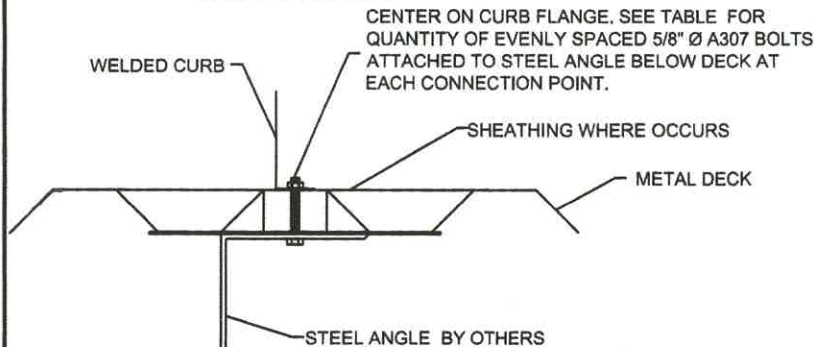


STEEL ATTACHMENT



NO. OF ANCHORAGE BOLTS REQUIRED

CURB KIT	LONG SIDE *	SHORT SIDE *	UNIT
80-265-49	2 @ 34.5" o.c.	2 @ 19" o.c.	LXS
80-265-50	2 @ 34.5" o.c.	2 @ 29" o.c.	LXL
80-265-13	2 @ 61" o.c.	2 @ 25.3" o.c.	SUNLINE 3-6 TON
80-265-45	2 @ 58.4" o.c.	2 @ 28.2" o.c.	PRESTIGE SMALL
80-265-46	2 @ 72" o.c.	2 @ 41" o.c.	PRESTIGE LARGE
80-265-29	3 @ 34.7" o.c.	2 @ 39.5" o.c.	PREDATOR
80-265-19	3 @ 51.6" o.c.	2 @ 72" o.c.	SUNLINE ULTRA
80-265-18	4 @ 38.1" o.c.	3 @ 36" o.c.	SUNLINE MAGNA

WIND AND SEISMIC LOAD ROOF ANCHORAGE DETAIL

Meets wind, seismic requirements for the following codes:

FBC 2017
based on ASCE 7-10.

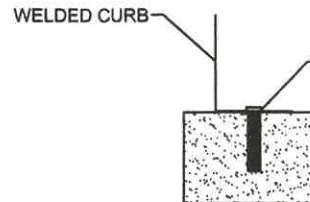
Wind:

190 mph exposure D category III or IV building, max BLDG height: 60 ft
Kzt=1.00 max

Seismic:

Sds=0.30 max
Sd1=0.187 max
Site Class D
Importance Factor: Ip=1.5

CONCRETE ATTACHMENT



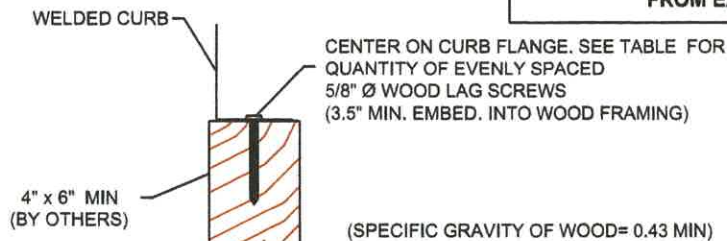
CENTER ON CURB FLANGE. SEE TABLE FOR QUANTITY OF EVENLY SPACED 3/4" Ø THRD'D ROD IN HILTI HIT-HY 200 EPOXY, 4" MIN. EMBED INTO CONCRETE.

- NORMAL WEIGHT CONC SLAB
- $f_c=4000$ PSI MIN
- 6" MIN THICK CONC.
- SPECIAL INSPECTION REQUIRED (ESR-3187)

NO. OF ANCHORAGE BOLTS REQUIRED

CURB KIT	LONG SIDE *	SHORT SIDE **	UNIT
80-265-49	5 @ 8.6" o.c.	4 @ 6.3" o.c.	LXS
80-265-50	5 @ 8.6" o.c.	5 @ 7.25" o.c.	LXL
80-265-13	9 @ 7.63" o.c.	6 @ 5.1" o.c.	SUNLINE 3-6 TON
80-265-45	6 @ 11.7" o.c.	4 @ 9.4" o.c.	PRESTIGE SMALL
80-265-46	6 @ 14.4" o.c.	5 @ 10.25" o.c.	PRESTIGE LARGE
80-265-29	16 @ 4.63" o.c.	10 @ 4.4" o.c.	PREDATOR
80-265-19	15 @ 7.4" o.c.	12 @ 6.5" o.c.	SUNLINE ULTRA
80-265-18	22 @ 5.4" o.c.	17 @ 4.5" o.c.	SUNLINE MAGNA

WOOD ATTACHMENT



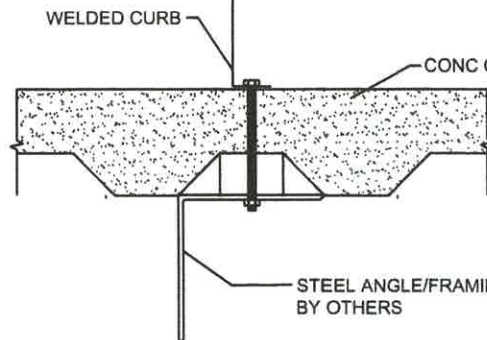
NO. OF ANCHORAGE SCREWS REQUIRED

CURB KIT	LONG SIDE	SHORT SIDE	UNIT
80-265-49	5 @ 9.6" o.c.	3 @ 11.5" o.c.	LXS
80-265-50	5 @ 9.6" o.c.	5 @ 8.3" o.c.	LXL
80-265-13	8 @ 9.3" o.c.	4 @ 9.8" o.c.	SUNLINE 3-6 TON
80-265-45	6 @ 12.5" o.c.	3 @ 16.1" o.c.	PRESTIGE SMALL
80-265-46	6 @ 15.2" o.c.	4 @ 15" o.c.	PRESTIGE LARGE
80-265-29	14 @ 5.6" o.c.	7 @ 7.3" o.c.	PREDATOR
80-265-19	15 @ 7.7" o.c.	12 @ 6.9" o.c.	SUNLINE ULTRA
80-265-18	23 @ 5.4" o.c.	14 @ 5.8" o.c.	SUNLINE MAGNA

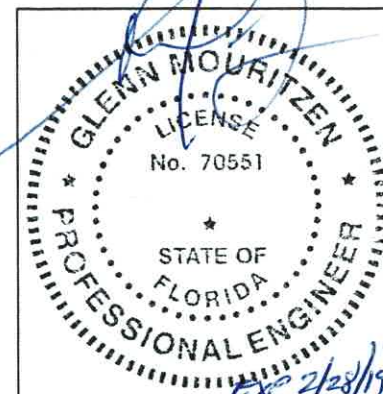
FOUR INCHES FROM EACH CORNER EVENLY SPACED.

STEEL AND CONCRETE ANCHORS ARE 6" FROM EACH CORNER EVENLY SPACED

CONCRETE OVER METAL DECK



NOTE: FOR CONC OVER METAL DECK OVER STEEL FRAMING USE STEEL ATTACHMENT



3847 WABASH DR.
MIRA LOMA, CA 91725

PHONE (951) 685-1101
FAX (619) 872-9799

SUBMITTED TO: _____
COMPANY: _____
JOB NAME: _____
EQUIPMENT: _____
NOTES: _____

FORM NO:
CB-25A

DATE:
07/18/18

REV:
-

DRAWN BY:
ALL