

**FEATURES**

- Roof curb perimeter made of galvanized steel.
- Gasketing package provided.
- Heat treated wood nailer provided.
- Corner flanges are pre-threaded for easy bolt on assembly.
- Pitched, welded, and different height curbs are available.

**NOTES**

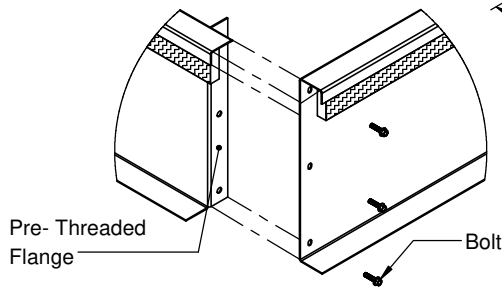
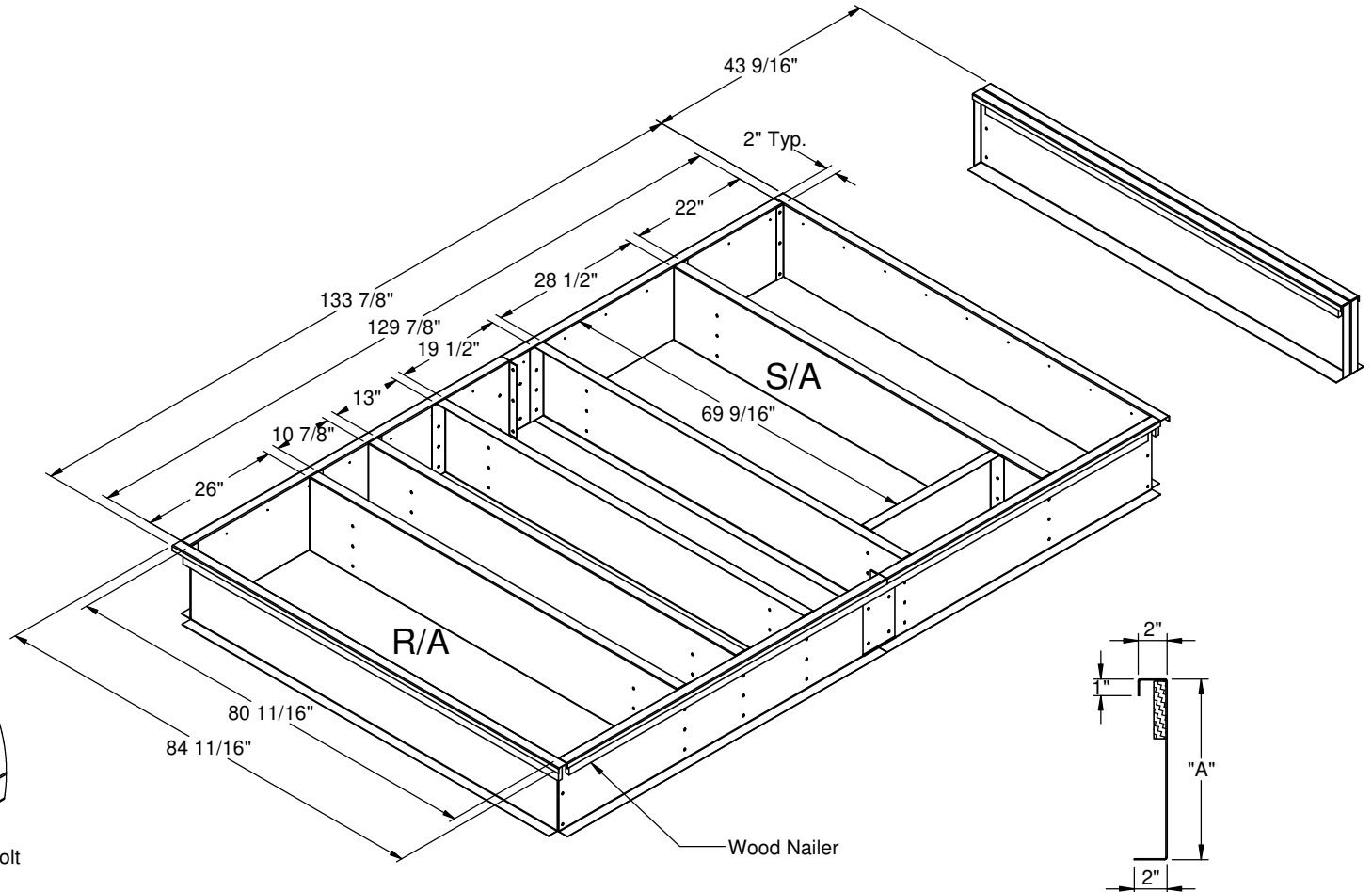
- Attach ductwork to roof curb. Flanges of duct rest on top of curb. Support ductwork below the curb.

**KNOCK-DOWN ROOF CURBS FOR YORK UNITS**

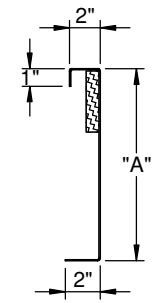
SUN SELECT 28-35 TON

**General Table**

PROVENT P/N	A	EST. WEIGHT
CBKDSEL283514US	14"	490 Lbs.
CBKDSEL283524US	24"	735 Lbs.



**CORNER DETAIL**



**CROSS SECTION DETAIL**



3847 WABASH DR.  
MIRA LOMA, CA 91725  
  
PHONE (951) 685-1101  
FAX (619) 872-9799

SUBMITTED TO: \_\_\_\_\_  
COMPANY: \_\_\_\_\_  
JOB NAME: \_\_\_\_\_  
EQUIPMENT: \_\_\_\_\_  
NOTES: \_\_\_\_\_

FORM NO: \_\_\_\_\_  
DATE: 7/7/2021

PART NUMBER: CBKDSEL2835 SERIES  
REV: M  
DRAWN BY: CNG