

For wood, concrete and steel attachments see Roof Anchorage Detail, Form No. CB-60.

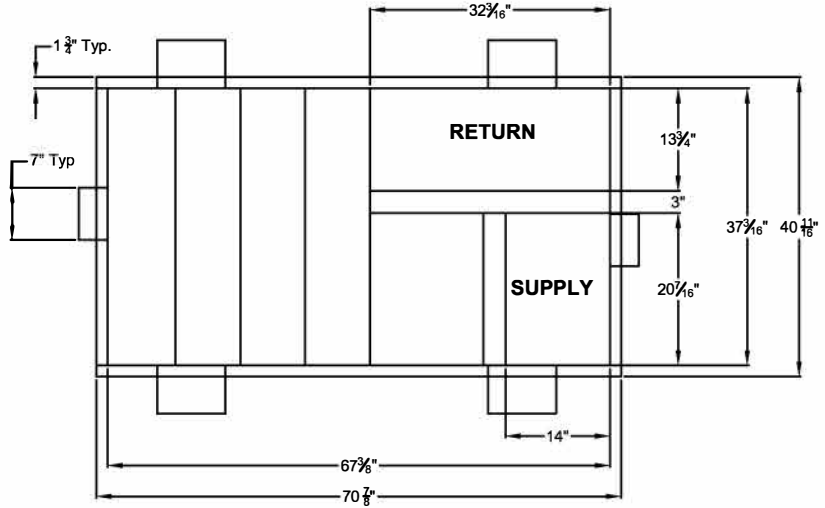
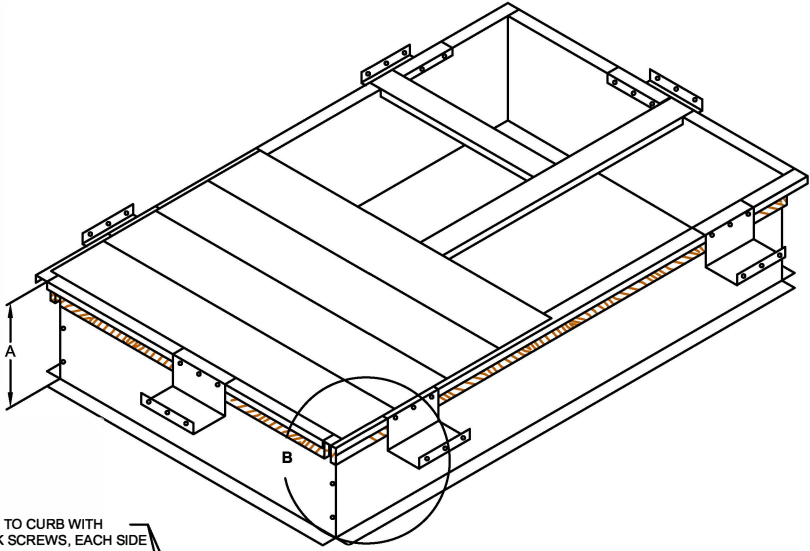
Will conform to seismic code requirements for knock-down or pre-assembled application. (Contact factory for assembled version.)

STRUCTURALLY CALCULATED HOLD DOWN CLIPS FOR KNOCK-DOWN ROOF CURBS FOR YORK UNITS

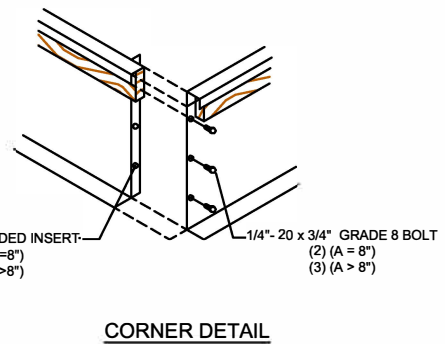
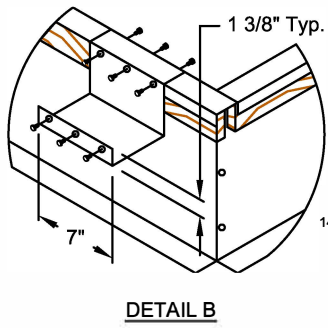
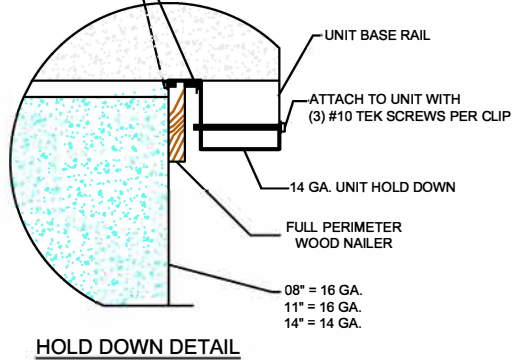
ZX 04-07; XX A7, ZX A7; ZY, ZQ, XY, XQ, ZL 04-06

ProVent P/N	A	WEIGHT	SEISMIC KIT P/N	WEIGHT
CBKDPRS08	8"	67 Lbs	KDKITPRS	43 Lbs
CBKDPRS11	11"	79 Lbs		
CBKDPRS14	14"	91 Lbs		

Meets seismic requirements for the following codes:
 CBC 2019
 IBC 2018



ATTACH TO CURB WITH (3) #10x3/4" TEK SCREWS, EACH SIDE



**3847 WABASH DRIVE
 MIRA LOMA, CA 91725**

**PHONE (951) 685-1101
 FAX (619) 872-9799**

SUBMITTED TO: _____
COMPANY: _____
JOB NAME: _____
EQUIPMENT: _____
NOTES: _____

FORM NO:
 CBKD-140

DATE:
 9/9/2021

REV:
 8

PART NUMBER:
 KDKITPRS

DRAWN BY:
 ALL