

For wood, concrete and steel attachments see Roof Anchorage Detail, Form No. CB-24A.

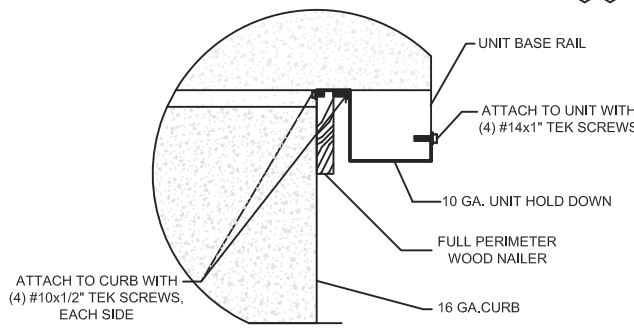
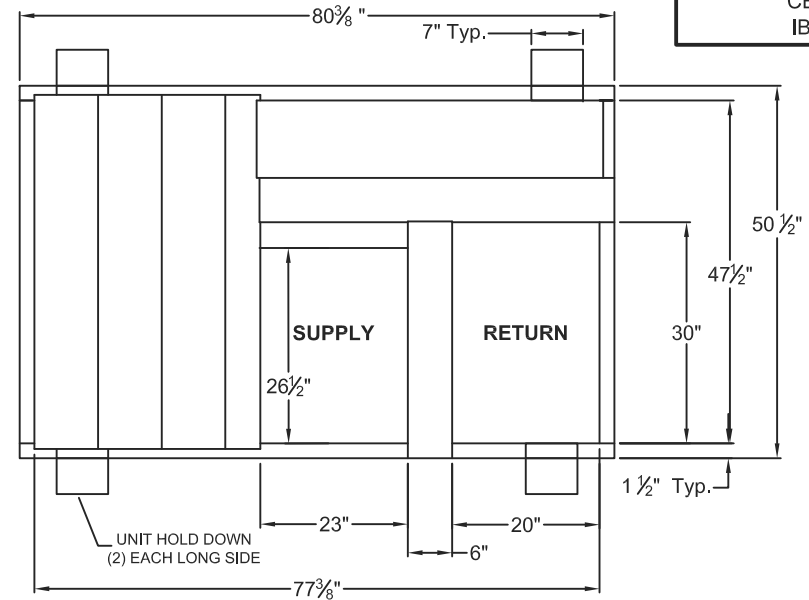
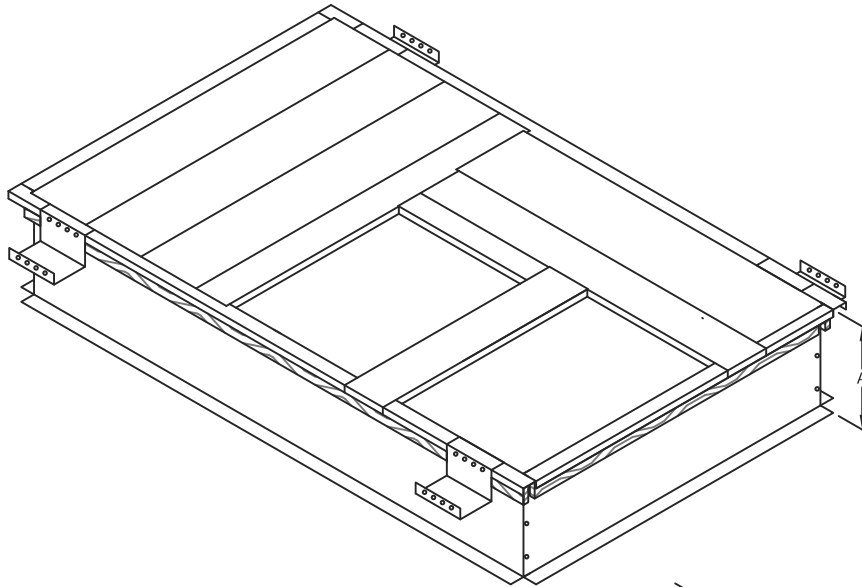
Will conform to seismic code requirements for knock-down or pre-assembled application. (Contact factory for assembled version.)

**STRUCTURALLY CALCULATED KNOCK-DOWN ROOF CURBS FOR YORK UNITS**

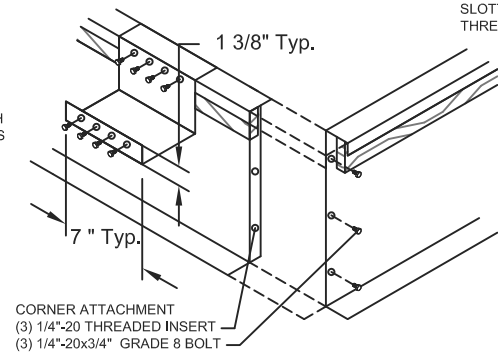
**ZT, ZR, ZJ, ZH 037-150  
ZF, ZH, ZJ, ZR, XP, DH, DM, DF, DR, BP 078-150**

ProVent P/N	A	WEIGHT	SEISMIC KIT P/N	WEIGHT
CBKDPRD371508	8"	115 Lbs	KDKITPRD371508	8 Lbs
CBKDPRD371511	11"	129 Lbs	KDKITPRD371511	10 Lbs
CBKDPRD371514	14"	144 Lbs	KDKITPRD371514	11 Lbs

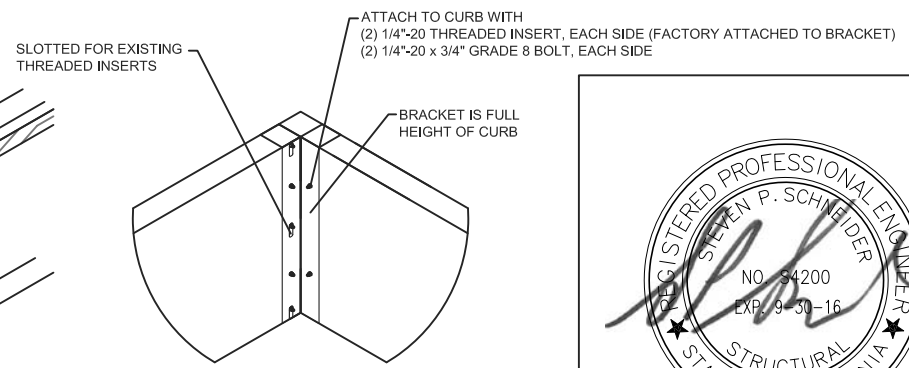
Meets seismic requirements for the following codes:  
CBC 2013  
IBC 2012



HOLD DOWN DETAIL



CORNER & HOLD DOWN DETAIL



CORNER REINFORCEMENT BRACKET DETAIL (TYP. 4 CORNERS)



3847 WABASH DR.  
MIRA LOMA, CA 91725

PHONE (951) 685-1101  
FAX (619) 872-9799

SUBMITTED TO: \_\_\_\_\_  
COMPANY: \_\_\_\_\_  
JOB NAME: \_\_\_\_\_  
EQUIPMENT: \_\_\_\_\_  
NOTES: \_\_\_\_\_

FORM NO:  
CBKD-80

DATE:  
07/22/14

REV:  
1

PART NUMBER:  
KDKITPRD3715 Series

DRAWN BY:  
FMM