

For wood, concrete and steel attachments see Roof Anchorage Detail, Form No. CB-24A.

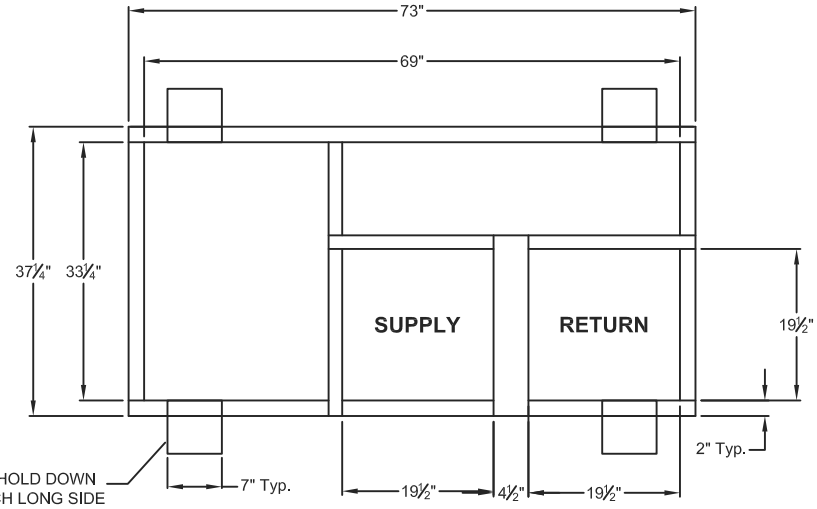
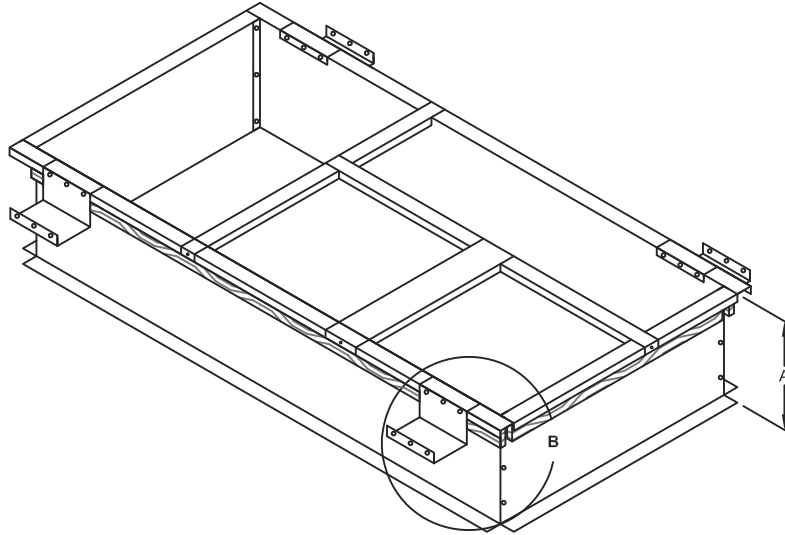
Will conform to seismic code requirements for knock-down or pre-assembled application. (Contact factory for assembled version.)

STRUCTURALLY CALCULATED KNOCK-DOWN ROOF CURBS FOR YORK UNITS

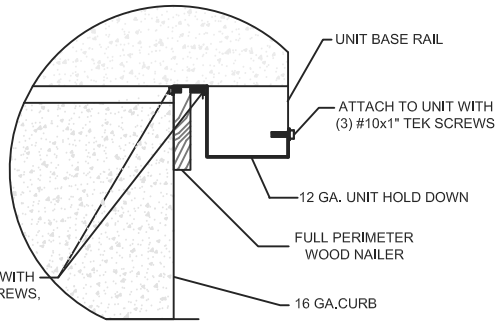
ZR 036-060, XP 036-060, ZF 036-072

ProVent P/N	A	WEIGHT	SEISMIC KIT P/N	WEIGHT
CBKDSUN367208	8"	67 Lbs	KDKITSUN3672	6 Lbs
CBKDSUN367211	11"	79 Lbs		
CBKDSUN367214	14"	91 Lbs		

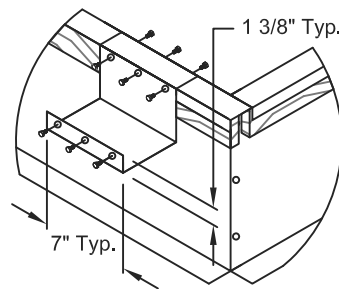
Meets seismic requirements for the following codes:
CBC 2013
IBC 2012



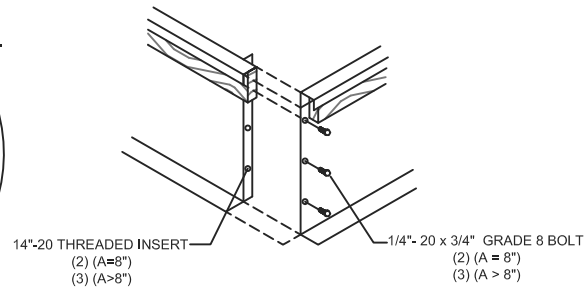
UNIT HOLD DOWN
(2) EACH LONG SIDE



HOLD DOWN DETAIL



DETAIL B



CORNER DETAIL



3847 WABASH DR.
MIRA LOMA, CA 91725

PHONE (951) 685-1101
FAX (619) 872-9799

SUBMITTED TO: _____
COMPANY: _____
JOB NAME: _____
EQUIPMENT: _____
NOTES: _____

FORM NO:
CBKD-79

DATE:
7/23/14

REV:
1

PART NUMBER:
KDKITSUN3672

DRAWN BY:
JG