

**FEATURES**

- Roof curb perimeter made of 16 ga. galvanized steel.
- Gasketing package provided.
- Heat treated wood nailer provided.
- Corner flanges are pre-threaded for easy bolt on assembly.
- Pitched, adjustable pitch/adjustable height, welded, different height, isolation and calculated curbs are available.

**NOTES**

- Attach ductwork to roof curb. Flanges of duct rest on top of the curb. Support ductwork below the curb.

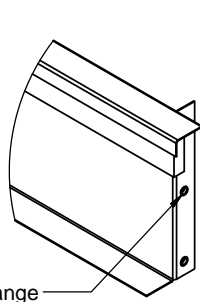
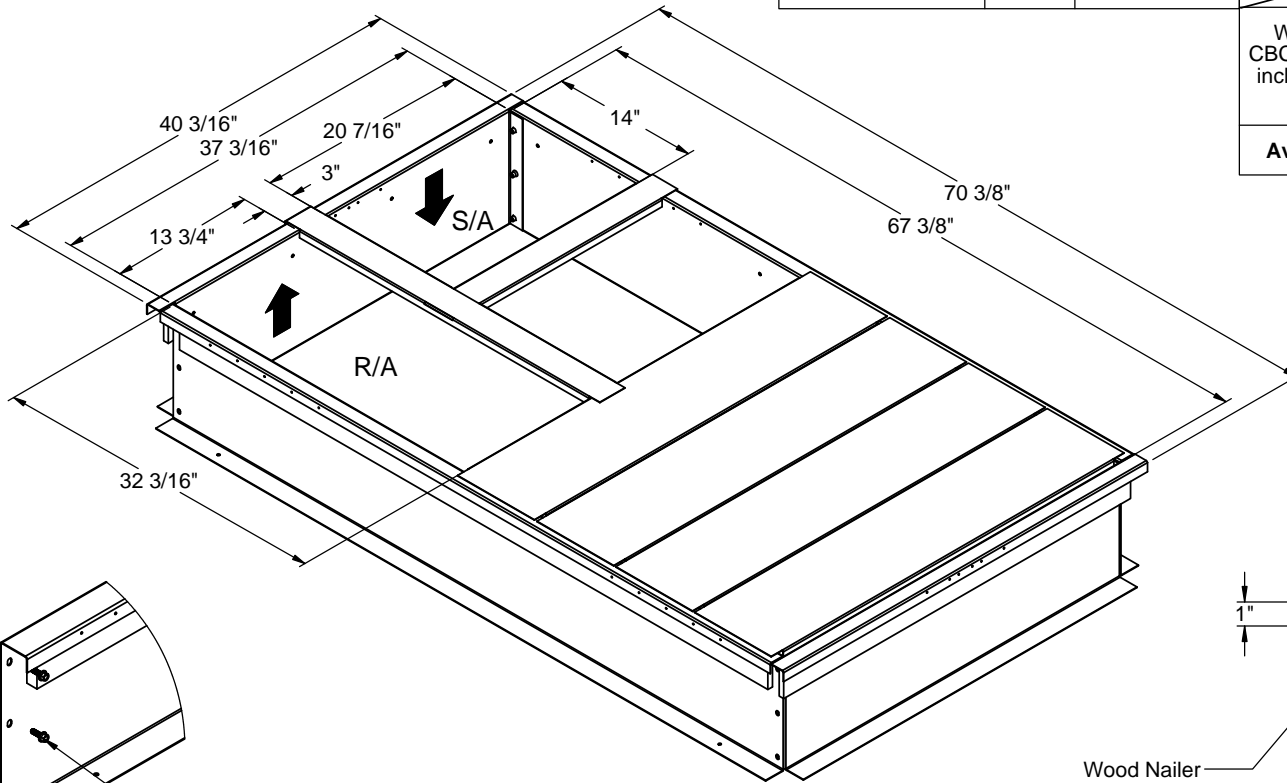
**KNOCK-DOWN ROOF CURBS FOR YORK UNITS**

ZY, ZQ, XY, XQ04-06; ZX04-07, XXA7

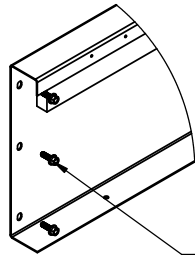
PROVENT P/N	A	EST. WEIGHT	SEISMIC KIT P/N
CBKDPRS08	8"	83 Lbs.	KDKITPRS
CBKDPRS11	11"	94 Lbs.	
CBKDPRS14	14"	105 Lbs.	
CBKDPRS18	18"	118 Lbs.	
CBKDPRS24	24"	144 Lbs.	

When conforming to CBC 2013 and IBC 2012, include optional seismic kit.

Available on 8" - 14"

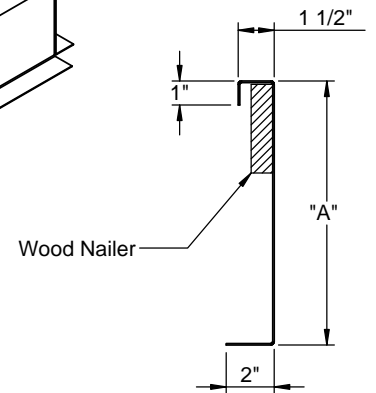


Pre-Threaded Flange



1/4-20 X 3/4" Bolt

CORNER DETAIL



Wood Nailer

CROSS SECTION DETAIL



3847 WABASH DR.  
MIRA LOMA, CA 91725

PHONE (951) 685-1101  
FAX (619) 872-9799

SUBMITTED TO: \_\_\_\_\_  
COMPANY: \_\_\_\_\_  
JOB NAME: \_\_\_\_\_  
EQUIPMENT: \_\_\_\_\_  
NOTES: \_\_\_\_\_

FORM NO:  
CBKD-71

DATE:  
11/13/2017

PART NUMBER:  
CBKDPRS SERIES

REV:  
6

DRAWN BY:  
CNG