



INSTALLATION INSTRUCTIONS CBKDPRL Series Roof Curbs

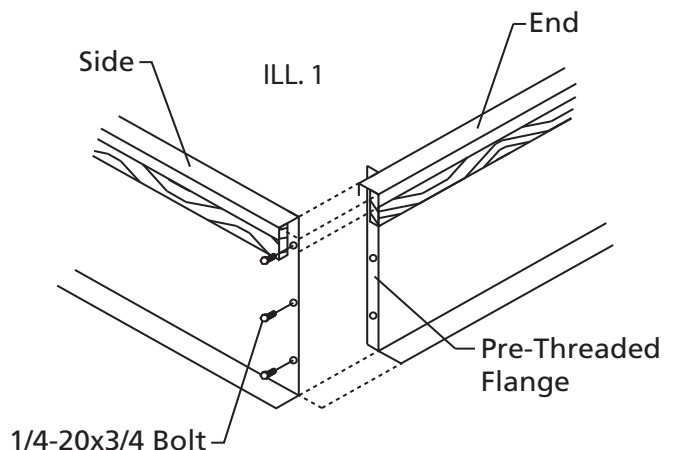
ProVent roof curbs have been designed to optimize structural code building requirements while at the same time minimizing the installation procedure. Please read these instructions carefully before beginning. For building code conforming curbs, a kit must be added prior to setting the unit on the curb. Contact your local distributor of ProVent accessories or contact us directly.

Calculated Kit for CBKDPRL Series
KDKITPRL

ROOF CURB LIST OF MATERIALS									
Roof Curb Part No.	Height	Bolt 1/4-20x3/4 Grade 8	Screw 1/4-20x3/4" Flathead	Sides	Ends	Duct Support	Unit Support	Deck Pan	Gasket 1-1/2" x 1/4" x 10' 1-1/2" x 1/4" x 23'
CBKDPRL08	8"	9	3	2	2	2	1	5	33 ft.
CBKDPRL11	11"	13						4	
CBKDPRL14	14"	13						4	
CBKDPRL24	24"	17						4	

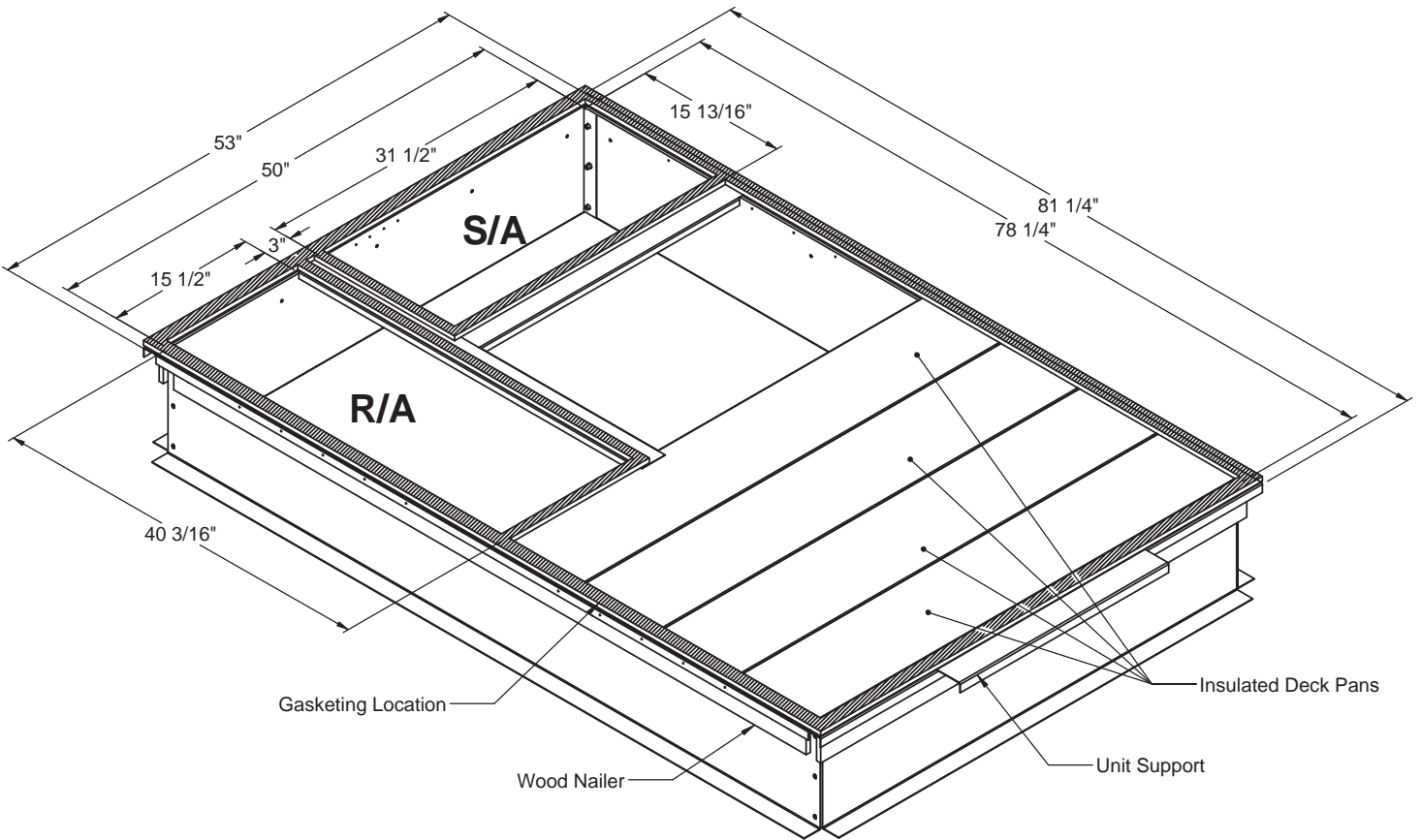
Instructions

1. Remove curb from package.
2. Bring together (1) curb side and (1) curb end. Insert 1/4-20x3/4 bolts through pre-punched holes and screw to threaded insert. Repeat for all (4) corners. (ILL. 1) Note: Hand screw all bolts into pre-threaded inserts before tightening (per corner).
3. Set deck pans at compressor end of curb. (Deck pans 52" in total length.) One duct support is set between the supply air and return air openings of curb. Refer to ILL. 2 for positioning.
4. The duct support separating supply opening is set in position by slot in length of duct support running between the supply air and return air openings.
5. The Unit support is set on top flange of condensor side of curb. Use flathead screws to secure.
5. Square up curb by measuring diagonally across curb corners. Set curb in place over roof opening.
6. Manufacture duct and drop into curb supply air and return air openings. Install gasketing around top perimeter of curb and around top duct flanges.



Roof Curb Assembly

ILL. 2



Roof Curb Installation

1. Place curb over specified opening size in roof.
2. Insulate and add cant strip to curb (field provided). Follow required roof installation or acceptable procedures for apply roofing. Be sure roofing material extends up to wood nailer and is secured under proper counter flashing. (See illustration below).

