

For wood, concrete and steel attachments see Roof Anchorage Detail, Form No. CB-24A.

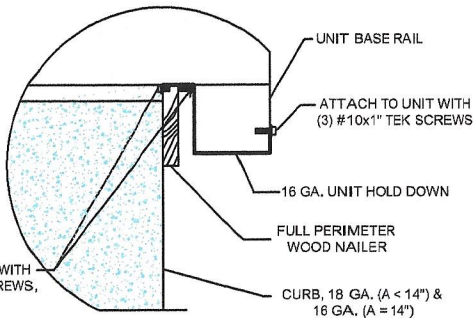
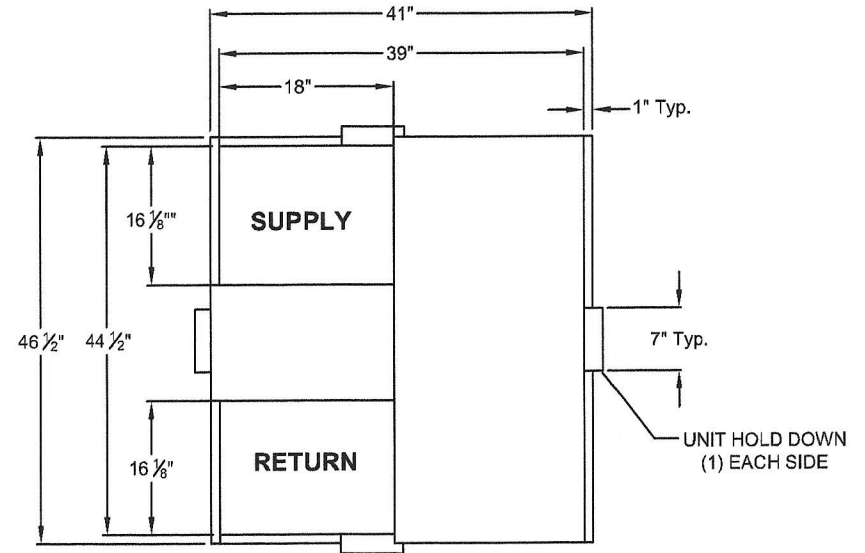
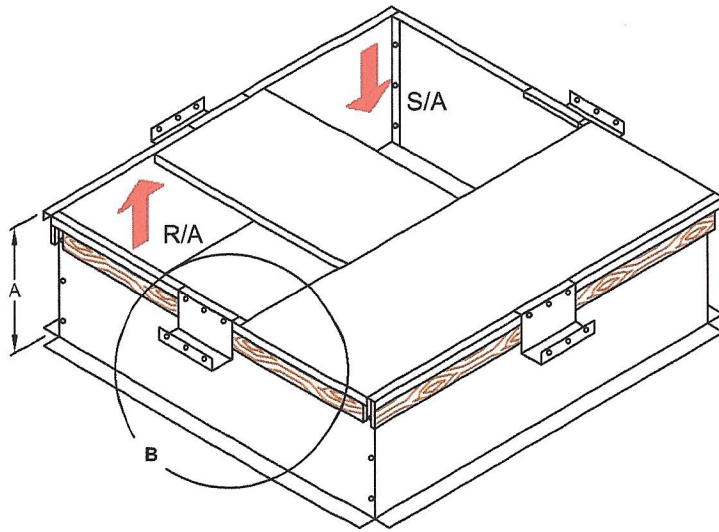
**STRUCTURALLY CALCULATED KNOCK-DOWN ROOF CURBS FOR YORK UNITS**

PCG4B, PCE4B 048-060 / PHE4B, PHG4B 036-060

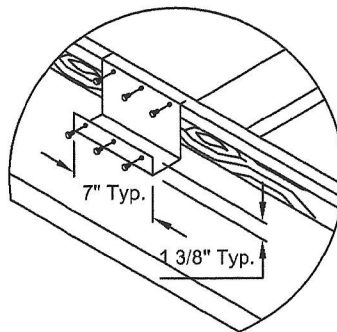
Will conform to seismic code requirements for knock-down or pre-assembled application. (Contact factory for assembled version.)

ProVent P/N	A	WEIGHT	SEISMIC KIT P/N	WEIGHT
CBKDLXL08	8"	53 Lbs	KDKITLX	5 Lbs
CBKDLXL11	11"	64 Lbs		
CBKDLXL14	14"	75 Lbs		

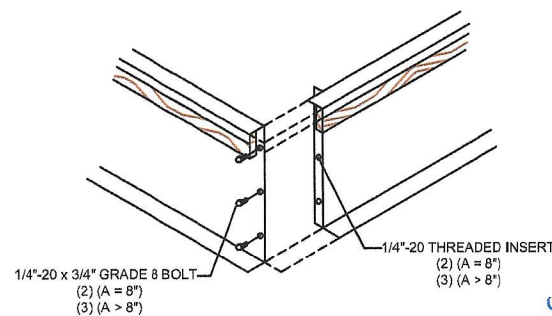
Meets seismic requirements for the following codes:  
CBC 2013  
IBC 2012



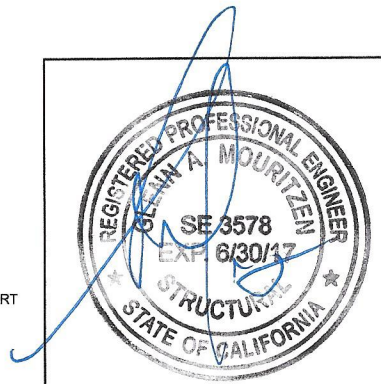
**HOLD DOWN DETAIL**



**DETAIL B**



**CORNER DETAIL**



3847 WABASH DR.  
MIRA LOMA, CA 91725

PHONE (951) 685-1101  
FAX (619) 872-9799

SUBMITTED TO: \_\_\_\_\_  
COMPANY: \_\_\_\_\_  
JOB NAME: \_\_\_\_\_  
EQUIPMENT: \_\_\_\_\_  
NOTES: \_\_\_\_\_

FORM NO:  
CBKD-153

DATE:  
09/21/15

REV:  
2

PART NUMBER:  
KDKITLX

DRAWN BY:  
CNG