

For wood, concrete and steel attachments see Roof Anchorage Detail, Form No. CB-60.

Will conform to seismic code requirements for knock-down or pre-assembled application. (Contact factory for assembled version.)

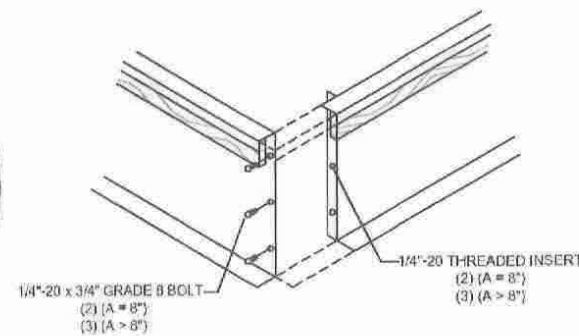
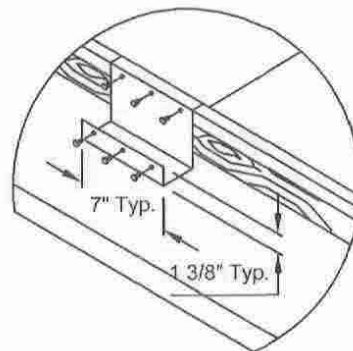
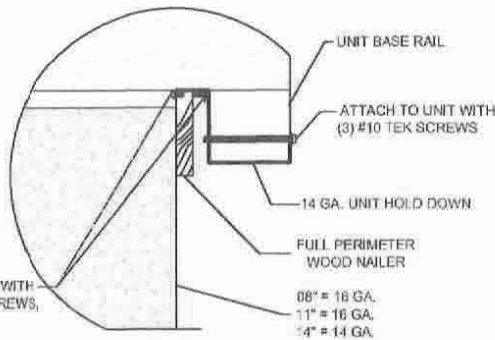
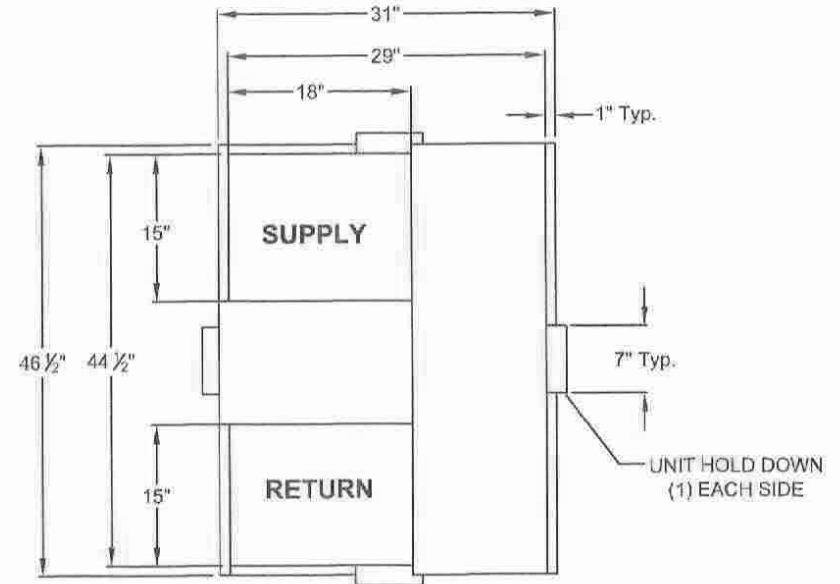
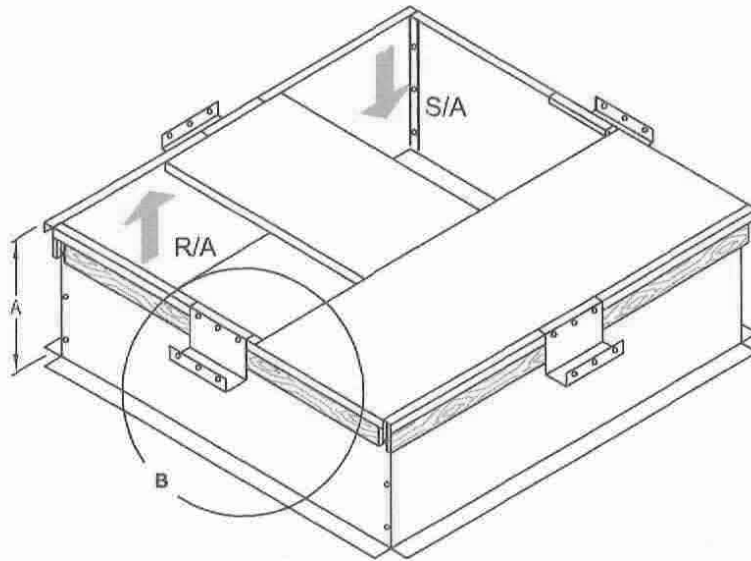
STRUCTURALLY CALCULATED KNOCK-DOWN ROOF CURBS FOR YORK UNITS

P*A ALL MODELS**

ProVent P/N	A	WEIGHT
CBKDLXS08	8"	43 Lbs
CBKDLXS11	11"	54 Lbs
CBKDLXS14	14"	65 Lbs

SEISMIC KIT P/N	WEIGHT
KDKITLX	5 Lbs

Meets seismic requirements for the following codes:
CBC 2016
IBC 2015



3847 WABASH DRIVE
 MIRA LOMA, CA 91725
 PHONE (951) 685-1101
 FAX (619) 872-9799

SUBMITTED TO: _____
 COMPANY: _____
 JOB NAME: _____
 EQUIPMENT: _____
 NOTES: _____

FORM NO:
 CBKD-152
 DATE:
 01/07/19

REV:
 5

PART NUMBER:
 KDKITLX
 DRAWN BY:
 ALL