

FEATURES

- Roof curb perimeter made of 18 ga. galvanized steel.
- Gasketing package provided.
- Heat treated wood nailer provided.
- Corner flanges are pre-threaded for easy bolt on assembly.
- Pitched, adjustable pitch/adjustable height, welded, different height, isolation and calculated curbs are available.

NOTES

- Attach ductwork to roof curb. Flanges of duct rest on top of the curb. Support ductwork below the curb.

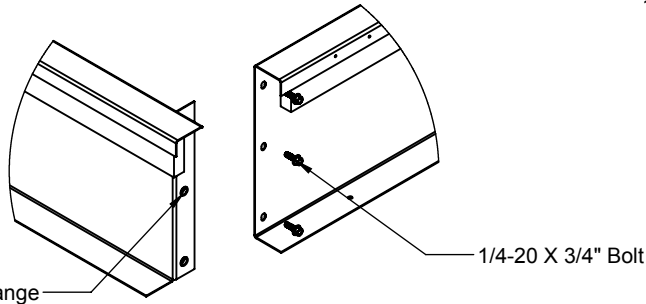
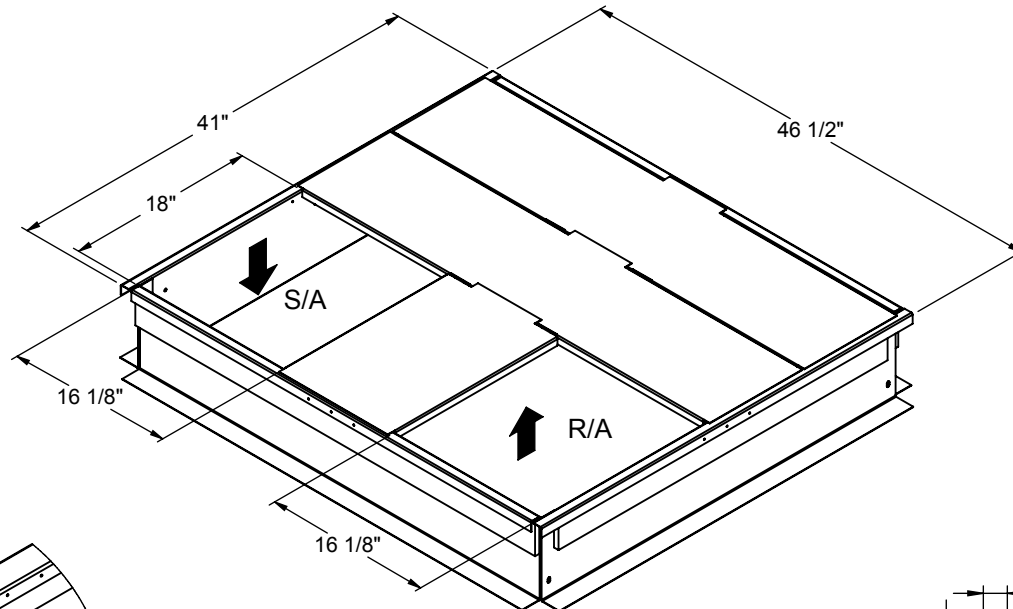
KNOCK-DOWN ROOF CURBS FOR YORK UNITS

P***B ALL MODELS

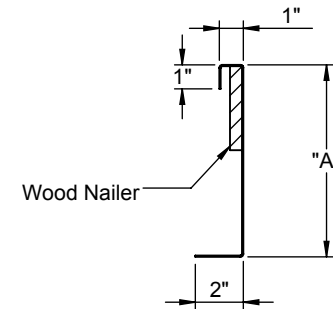
PROVENT P/N	A	EST. WEIGHT	SEISMIC KIT P/N
CBKDLXL08	8"	53 Lbs.	KDKITLX
CBKDLXL11	11"	64 Lbs.	
CBKDLXL14	14"	75 Lbs.	
CBKDLXL24	24"	114 Lbs.	

When conforming to CBC 2013 and IBC 2012, include optional seismic kit.

Available on 8" - 14"



CORNER DETAIL



CROSS SECTION DETAIL



3847 WABASH DR.
MIRA LOMA, CA 91725

PHONE (951) 685-1101
FAX (619) 872-9799

SUBMITTED TO: _____
COMPANY: _____
JOB NAME: _____
EQUIPMENT: _____
NOTES: _____

FORM NO:
CBKD-151

PART NUMBER:
CBKDLXL SERIES

DATE:
10/17/2016

REV:
3

DRAWN BY:
ALL