

For wood, concrete and steel attachments see Roof Anchorage Detail, Form Nos. CB-60.

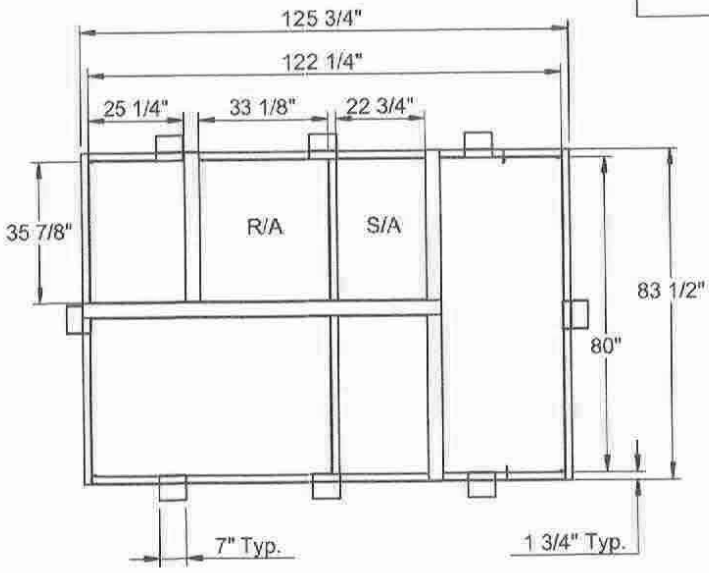
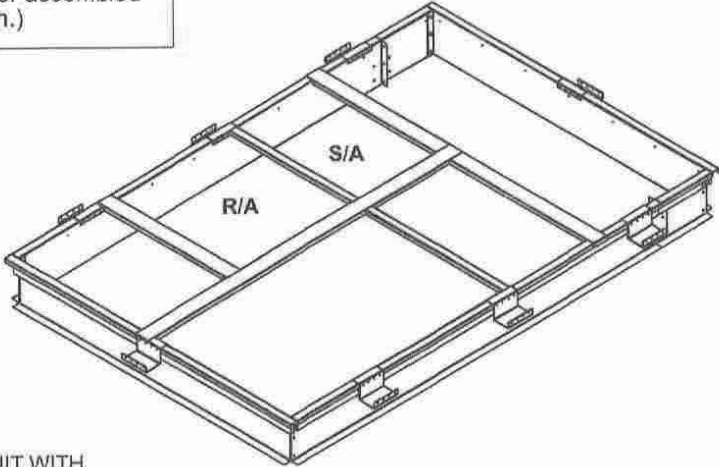
STRUCTURALLY CALCULATED KNOCK-DOWN ROOF CURBS FOR YORK UNITS

Will conform to seismic code requirements for knock-down or pre-assembled application. (Contact factory for assembled version.)

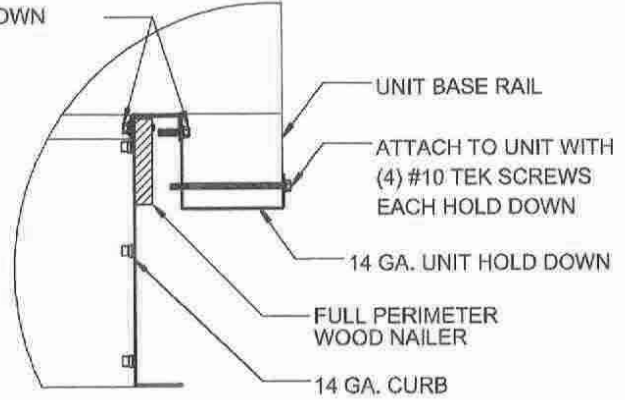
ZJ, ZR 180-300; XP 180-240
ZF 210-300

PROVENT P/N	A	EST. WEIGHT
CBKDSLM183008	8"	125 Lbs.
CBKDSLM183011	11"	139 Lbs.
CBKDSLM183014	14"	154 Lbs.

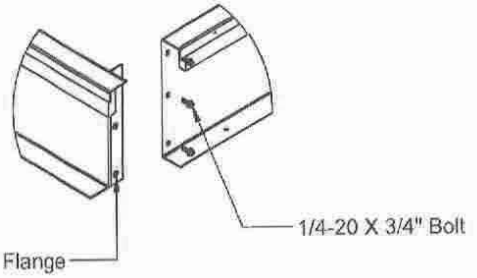
SEISMIC KIT P/N
KDKITSLM1830
Meets seismic requirements for the following codes: CBC 2016 IBC 2015



ATTACH TO UNIT WITH (4) #10x6" TEK SCREWS EACH HOLD DOWN



HOLD DOWN DETAIL



Pre-Threaded Flange

1/4-20 X 3/4" Bolt

CROSS SECTION DETAIL



3847 WABASH DRIVE
MIRA LOMA, CA 91725
PHONE (951) 685-1101
FAX (619) 872-9799

SUBMITTED TO: _____
COMPANY: _____
JOB NAME: _____
EQUIPMENT: _____
NOTES: _____

FORM NO:
CBKD-136
DATE:
1/7/2019

PART NUMBER:
KDKITSLM1830
REV:
1

DRAWN BY:
ALL