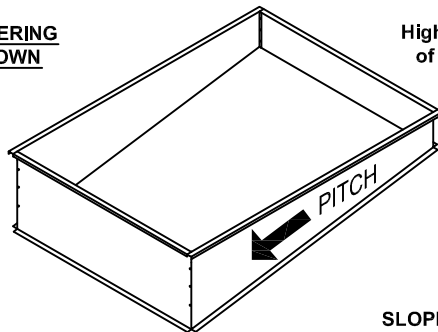


NOTES

- Select your proper pitch configuration. Provide slope (inches per foot) and quantity for each illustration required.
- When ordering as a knock down roof curb, supply and return air openings can be configured either way. Example: Rotate duct supports and deck pans (if applicable) 180°.
- Please contact ProVent for assistance if needed.

PITCHED ROOF CURB ILLUSTRATION FORM FOR SLU AND SLM SERIES CURBS (15-25 TON)

WHEN ORDERING
KNOCK DOWN

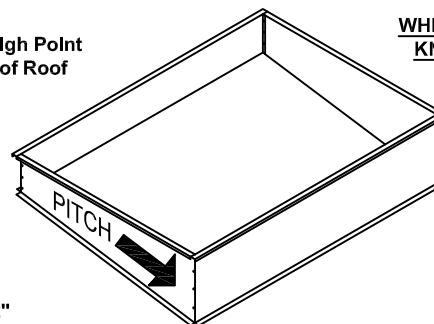


High Point
of Roof

ILL. L
(LENGTH)

SLOPE ____ IN 12"
Qty ____

High Point
of Roof

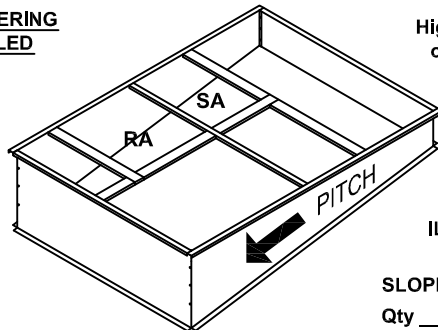


WHEN ORDERING
KNOCK DOWN

ILL. W
(WIDTH)

SLOPE ____ IN 12"
Qty ____

WHEN ORDERING
ASSEMBLED

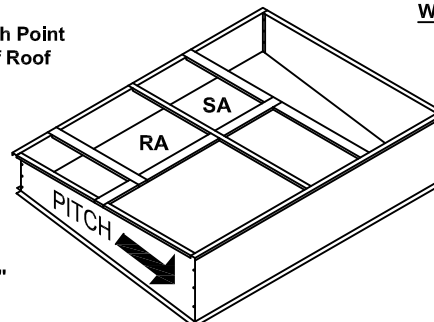


High Point
of Roof

ILL. L1

SLOPE ____ IN 12"
Qty ____

High Point
of Roof

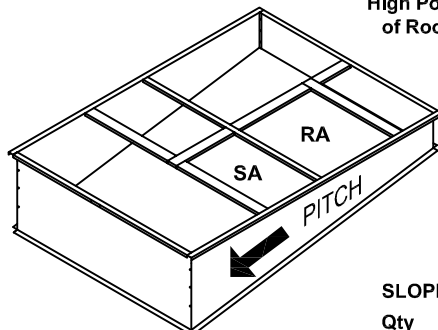


WHEN ORDERING
ASSEMBLED

ILL. W1

SLOPE ____ IN 12"
Qty ____

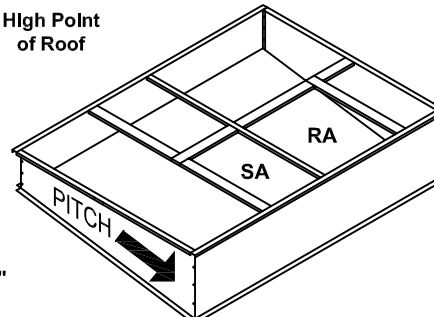
High Point
of Roof



ILL. L2

SLOPE ____ IN 12"
Qty ____

High Point
of Roof



ILL. W2

SLOPE ____ IN 12"
Qty ____



3847 WABASH DRIVE
MIRA LOMA, CA 91752

PHONE (951) 685-1101
FAX (619) 498-9247

SUBMITTED TO: _____
COMPANY: _____
JOB NAME: _____
EQUIPMENT: _____
NOTES: _____

FORM NO:
CBKD-128

DATE:
02/24/16

PART NUMBER:
SLU & SLM SERIES

REV:
2

DRAWN BY:
JG