

FEATURES

- Roof curb perimeter made of 14 ga. galvanized steel.
- Gasketing package provided.
- Heat treated wood nailer provided.
- Corner flanges are pre-threaded for easy bolt on assembly.
- Insulated sloped deck pans provided.
- Pitched, welded, different height, insulated and calculated curbs are available.

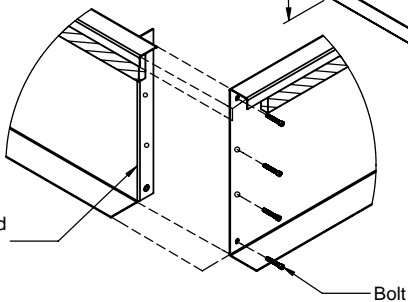
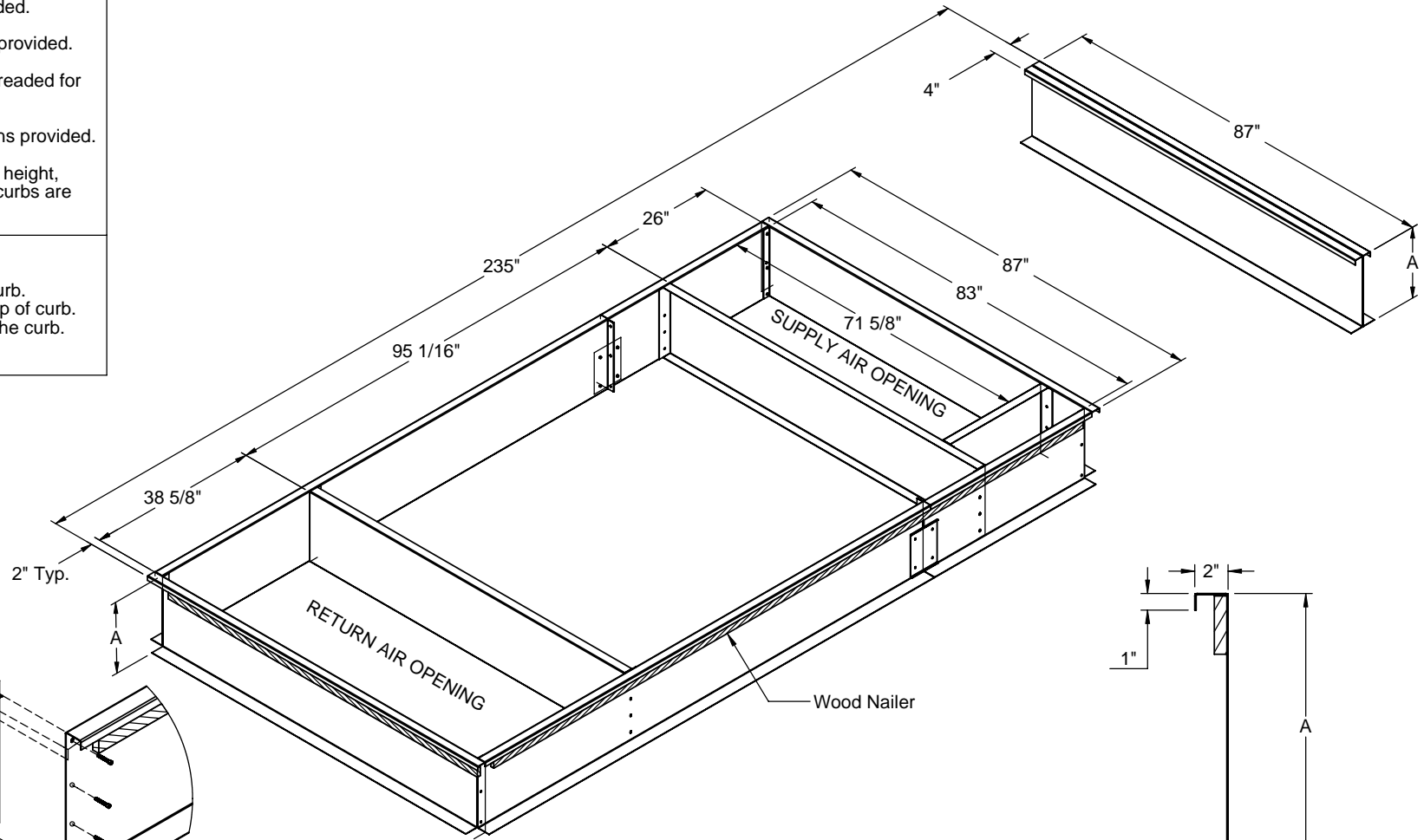
NOTES

- Attach ductwork to roof curb. Flanges of duct rest on top of curb. Support ductwork below the curb.

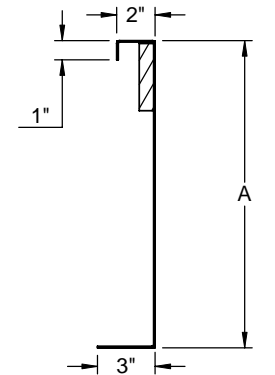
FULL PERIMETER, KNOCK-DOWN ROOF CURBS FOR YORK UNITS

**MILLENNIUM Y22, 32 / Y23, 33 / Y24, 34
Z22, 32 / Z23, 33 / Z24, 34**

ProVent P/N:	A	APPROX. WEIGHT
CBKDMIL222414	14"	408 Lbs
CBKDMIL222424	24"	469 Lbs



CORNER DETAIL



CROSS SECTION DETAIL



1392 E. PALOMAR ST. # 403-234
CHULA VISTA, CA 91913

PHONE (619) 498-9246
FAX (619) 872-9799

SUBMITTED TO: _____
COMPANY: _____
JOB NAME: _____
EQUIPMENT: _____
NOTES: _____

FORM NO:
CBKD-106

PART NUMBER:
CBKDMIL2224 SERIES

DATE:
4/9/2010

REV:
4

DRAWN BY:
FMM