

FEATURES	KNOCK- DOWN ROOF CURBS FOR YORK UNITS	PROVENT P/N	A	EST. WEIGHT	SEISMIC KIT P/N
----------	---------------------------------------	-------------	---	-------------	-----------------

- Roof curb perimeter made of 16 Ga. galvanized steel.
- Gasketing package provided.
- Heat treated wood nailer provided.
- Corner flanges are pre- treated for easy bolt on assembly.
- Pitched, adjustable pitch/ adjustable height, welded, different height, Isolation and calculated curbs are available.

ZE, ZR, XN, XP 036-060
ZF 036-072

CBKDSUN367208	8"	67 Lbs.
CBKDSUN367211	11"	79 Lbs.
CBKDSUN367214	14"	91 Lbs.
CBKDSUN367224	24"	132 Lbs.

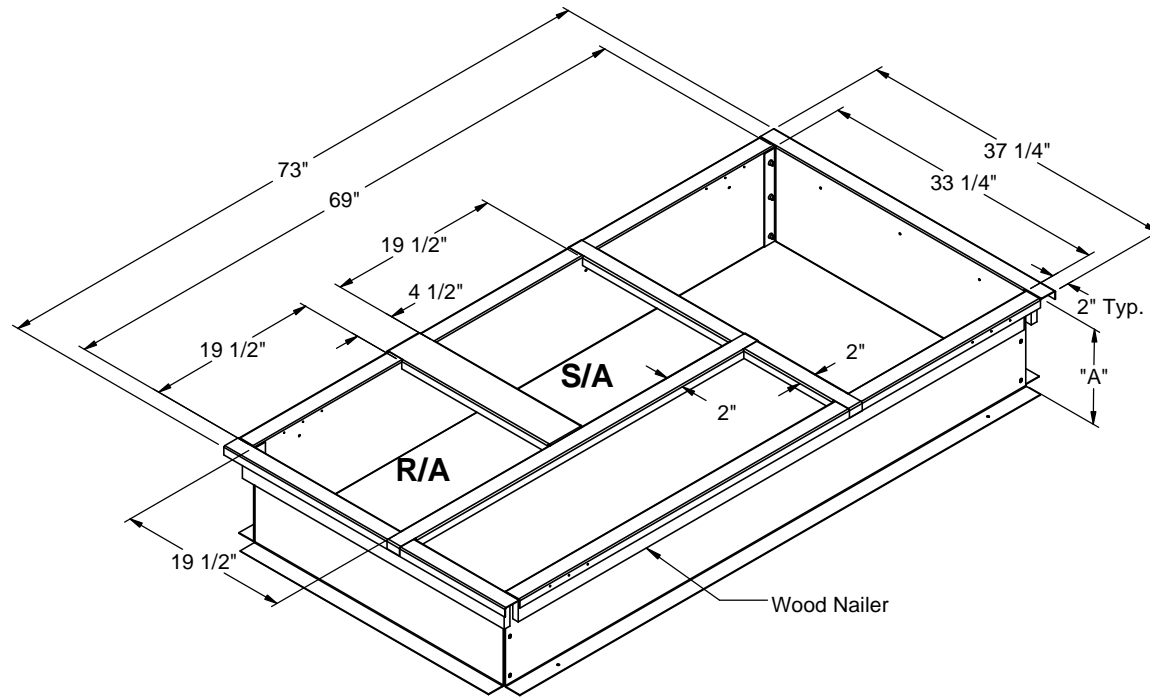
KDKITSUN3672

When conforming to CBC 2013 and IBC 2012, include optional seismic kit.

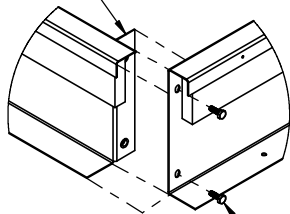
NOTES

- Attach ductwork to roof curb. Flanges of duct rest on top of curb. Support ductwork below the curb.
- Calculated curb kit only needs attachment from unit to curb. (Curb corner assembly already conforms.)

Available on 8" - 14"

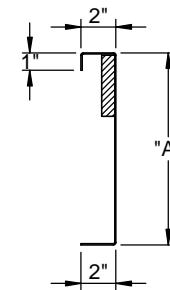


Pre- threaded Flange




1/4" - 20 x 3/4" Bolt

CORNER DETAIL



CROSS SECTION DETAIL

	<p>3847 WABASH DR. MIRA LOMA, CA 91725</p> <p>PHONE (951) 685-1101 FAX (619) 872-9799</p>	<p>SUBMITTED TO: _____</p> <p>COMPANY: _____</p> <p>JOB NAME: _____</p> <p>EQUIPMENT: _____</p> <p>NOTES: _____</p>	<p>FORM NO: CBKD-102</p>	<p>PART NUMBER: CBKD-102</p>
			<p>DATE: 9/6/2016</p>	<p>REV: 4</p>