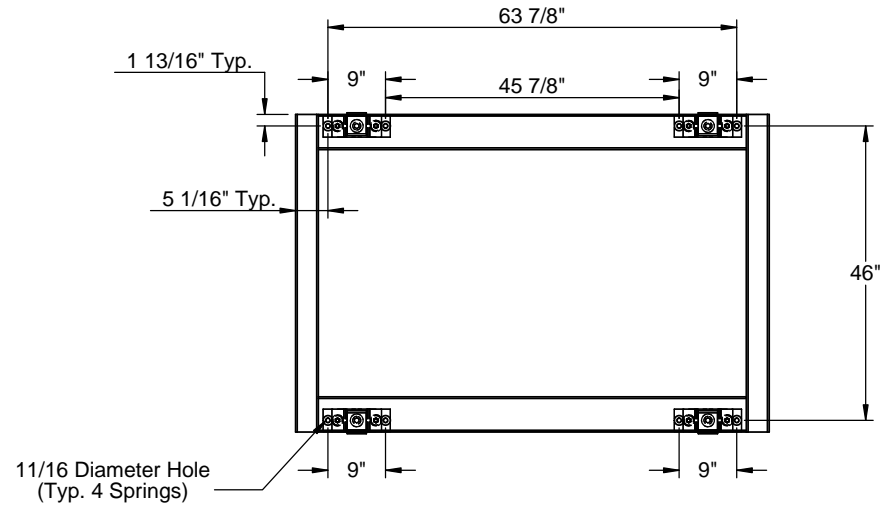
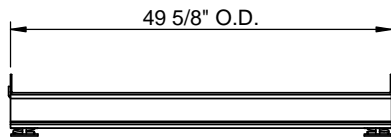
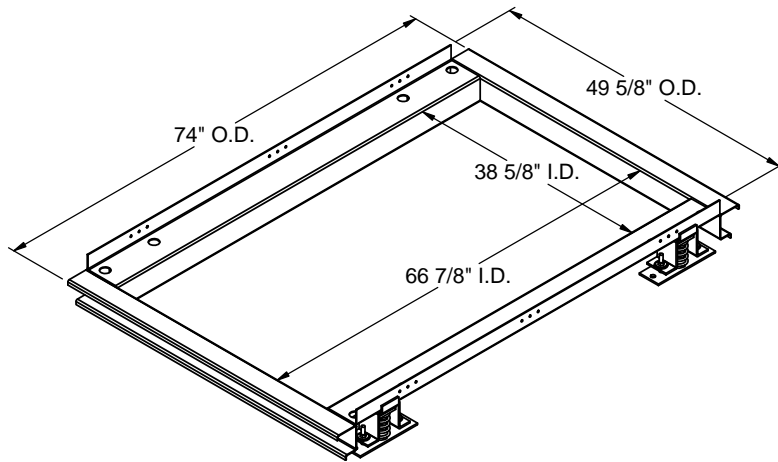


FEATURES

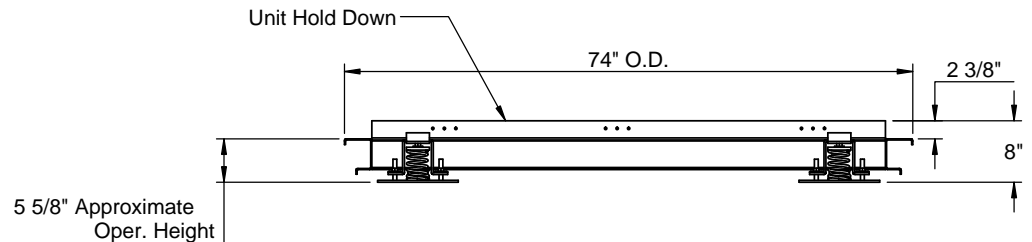
- Fully welded construction.
- 10 Ga. galvanized support frame.
- Estimated weight - 164 Lbs.
- Gasketing package provided.
- Restraints and springs have OSHPD pre-approval, OPA #0070.

VIBRATION ISOLATION FRAME FOR HORIZONTAL YORK UNITS - LOW PROFILE

ZX 04-07; ZY, XY 04-06



Anchorage Location Detail



3847 WABASH DR.
MIRA LOMA, CA 91725

PHONE (951) 685-1101
FAX (619) 872-9799

SUBMITTED TO: _____
COMPANY: _____
JOB NAME: _____
EQUIPMENT: _____
NOTES: _____

FORM NO:
-

DATE:
1/13/2016

PART NUMBER:
CBISHPRS - SERIES

REV:
1

DRAWN BY:
CNG