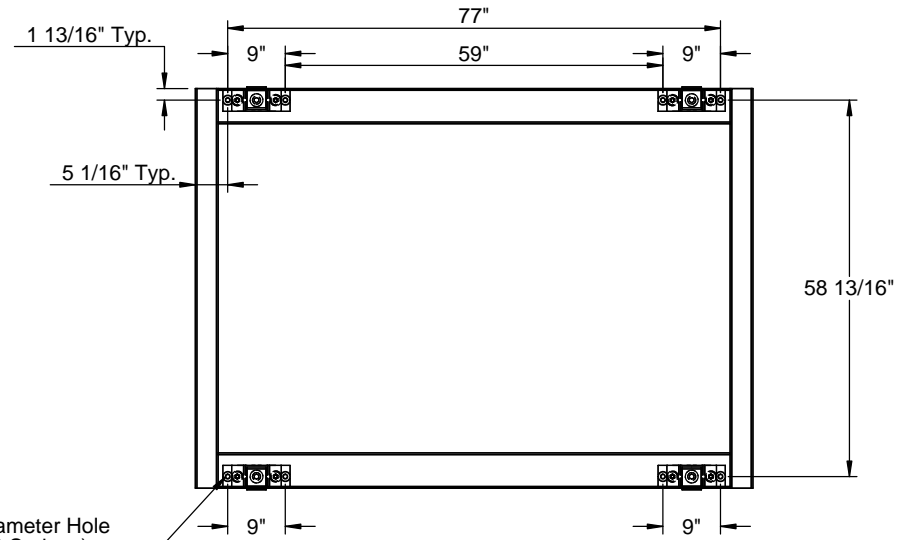
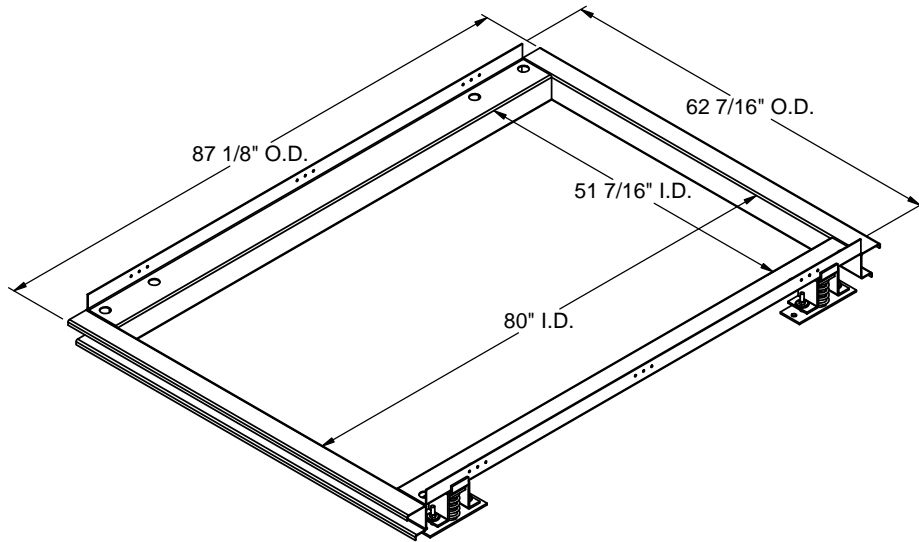


FEATURES

- Fully welded construction.
- 10 Ga. galvanized support frame.
- Estimated weight - 211 Lbs.
- Gasketing package provided.
- Restraints and springs have OSHPD pre-approval, OPA #0070.

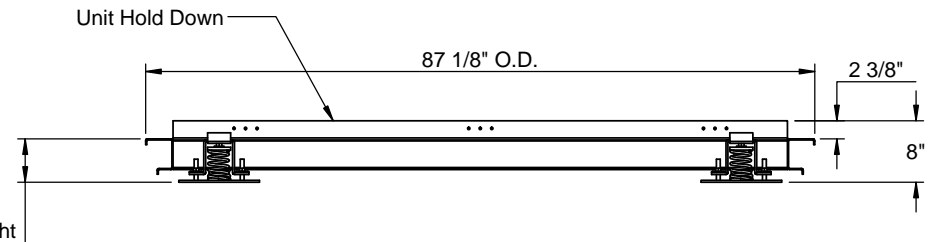
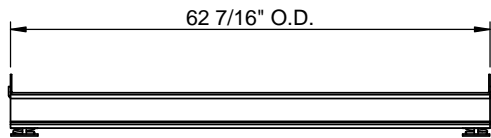
VIBRATION ISOLATION FRAME FOR HORIZONTAL YORK UNITS - LOW PROFILE

ZX, ZY 08-12; ZX 14; ZY 07



11/16 Diameter Hole
(Typ. 4 Springs)

Anchorage Location Detail



3847 WABASH DR.
MIRA LOMA, CA 91725

PHONE (951) 685-1101
FAX (619) 872-9799

SUBMITTED TO: _____
COMPANY: _____
JOB NAME: _____
EQUIPMENT: _____
NOTES: _____

FORM NO:
-

DATE:
12/23/2015

PART NUMBER:
CBISHPRL - SERIES

REV:
2

DRAWN BY:
CNG