

**FEATURES**

- Fully welded construction.
- 14 Ga. galvanized support frame.
- Estimated weight - 97 Lbs.
- Gasketing package provided.
- Restraints and springs have OSHPD pre-approval, OPA #0070.

**VIBRATION ISOLATION FRAME FOR HORIZONTAL YORK UNITS - LOW PROFILE**

P\*\*4B ALL MODELS

Unit Model

Power Exhaust?

Provent P/N

P\*\*4B ALL MODELS

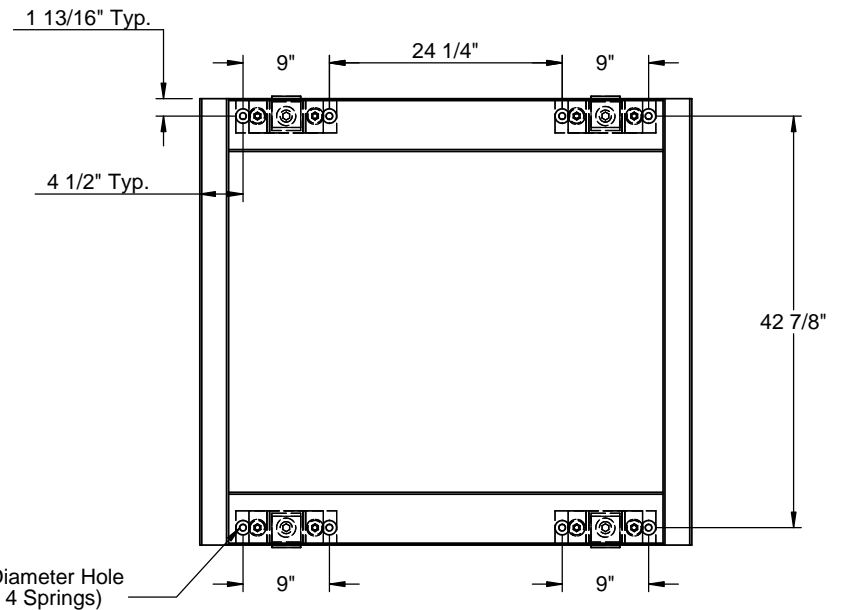
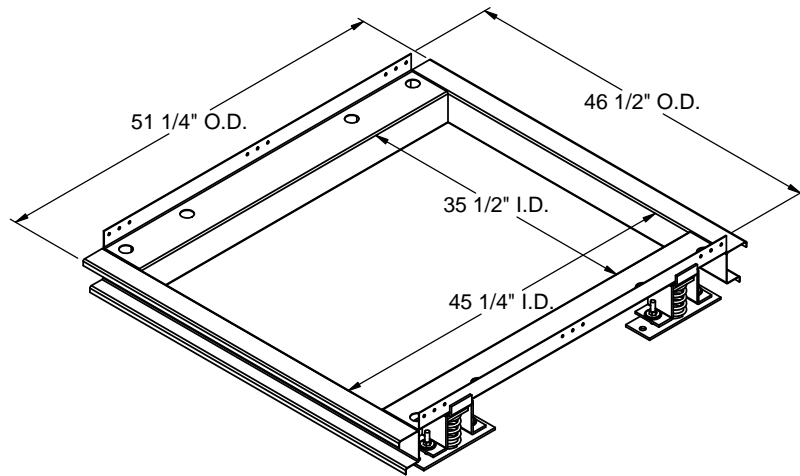
NO

CBISHLXL1

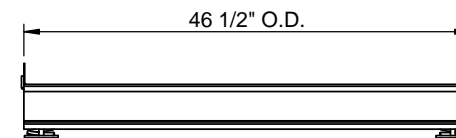
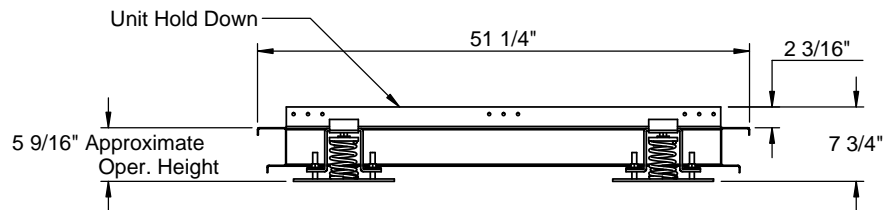
P\*\*4B ALL MODELS

YES

CBISHLXLP1



**Anchorage Location Detail**



3847 WABASH DRIVE  
MIRA LOMA, CA 91752

PHONE (951) 685-1101  
FAX (619) 872-9799

SUBMITTED TO: \_\_\_\_\_  
COMPANY: \_\_\_\_\_  
JOB NAME: \_\_\_\_\_  
EQUIPMENT: \_\_\_\_\_  
NOTES: \_\_\_\_\_

FORM NO:  
CBISH-121

PART NUMBER:  
CBISHLXL - SERIES

DATE:  
11/6/2015

REV:  
-

DRAWN BY:  
CNG