

For wood, concrete and steel attachment see Roof Anchorage Detail, Form No. CB-52.

Welded isolation springs housing are standard. For bolted spring housing, neoprene pads and spring cups see Weldment and Bolting Detail, Form No. CB-61

FEATURES

- Roof curb base 12 ga.
- Roof curb upper rail 14 ga.
- Fully welded construction.
- Gasketing package provided.
- Heat treated wood nailer provided.
- insulated deck pans provided.
- Pitched curbs and taller curbs are available.

NOTES

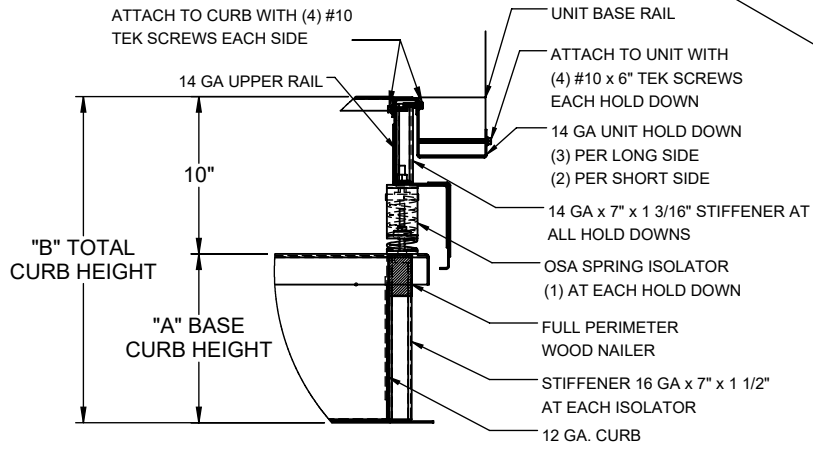
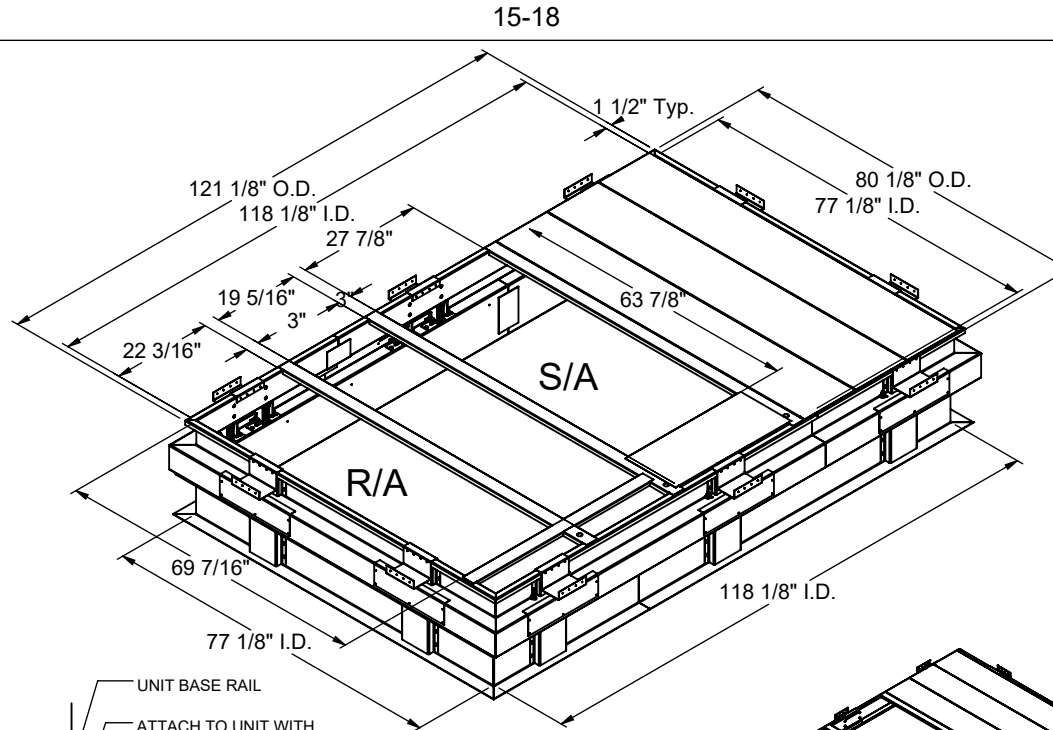
- Attach ductwork to roof curb. Flanges of duct rest on top of the curb, Support ductwork below the curb.
- Thru the curb utilities are available. Contact you York distributor or Provent directly.

**VIBRATION ISOLATION ROOF CURBS
SUNCHOICE UNITS**

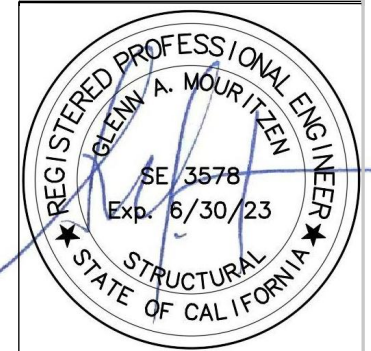
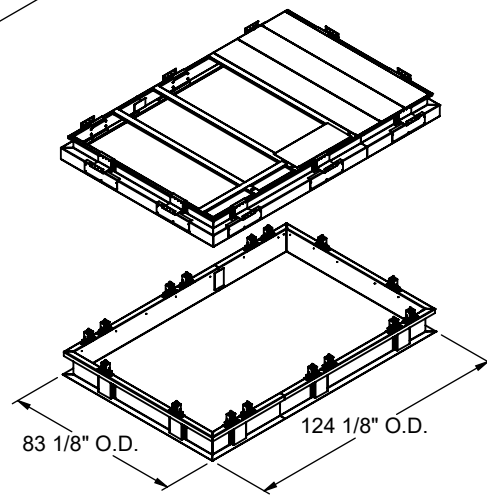
PROVENT P/N	A	B	EST. WEIGHT
CBISCSAV151818**	8"	18"	556 Lbs
CBISCSAV151821**	11"	21"	606 Lbs
CBISCSAV151824**	14"	24"	656 Lbs

**Note: Spring configuration must be added to part number at time of order

Meets seismic requirements for the following codes:
CBC 2019
IBC 2018



PROFILE DETAIL



3847 WABASH DRIVE
MIRA LOMA, CA 91752
PHONE (951) 685-1101
FAX (619) 872-9799

SUBMITTED TO: _____
COMPANY: _____
JOB NAME: _____
EQUIPMENT: _____
NOTES: _____

FORM NO:
CBISC-12
DATE:
6/23/2021

PART NUMBER:
-
REV:
1
DRAWN BY:
ALL