

For wood, concrete and steel attachment see Roof Anchorage Detail, Form No. CB-60.

Welded isolation springs housing are standard. For bolted spring housing, neoprene pads and spring cups see Weldment and Bolting Detail, Form No. CB-61

**FEATURES**

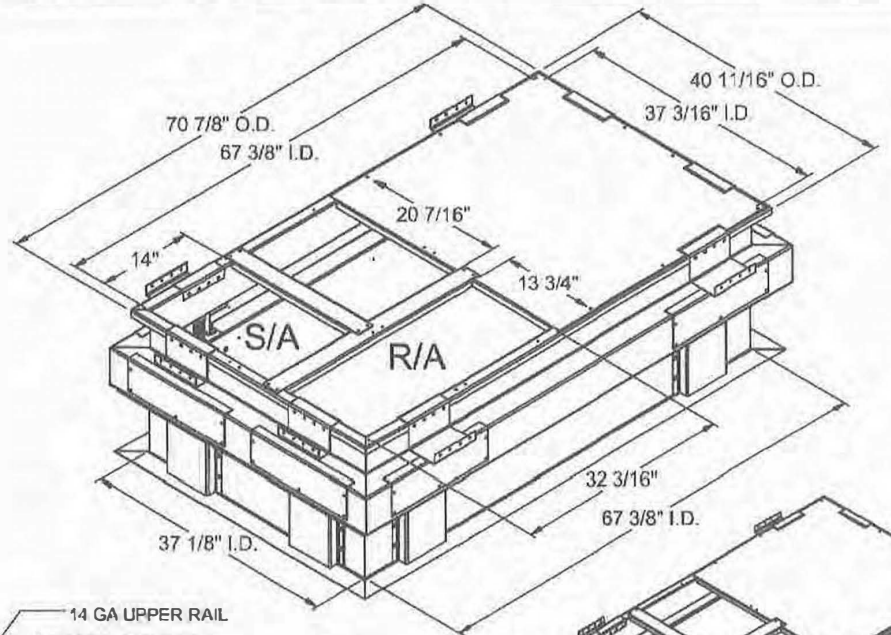
- Roof curbs sides and ends are 14 ga.
- Fully welded construction.
- Gasketing package provided.
- Heat treated wood nailer provided.
- Insulated deck pans provided.
- Pitched curbs and taller curbs are available.

**NOTES**

- Attach ductwork to roof curb. Flanges of duct rest on top of the curb. Support ductwork below the curb.
- Thru the curb utilities are available. Contact you York distributor or Provent directly.

**STRUCTURALLY CALCULATED VIBRATION ISOLATION ROOF CURB FOR YORK UNITS**

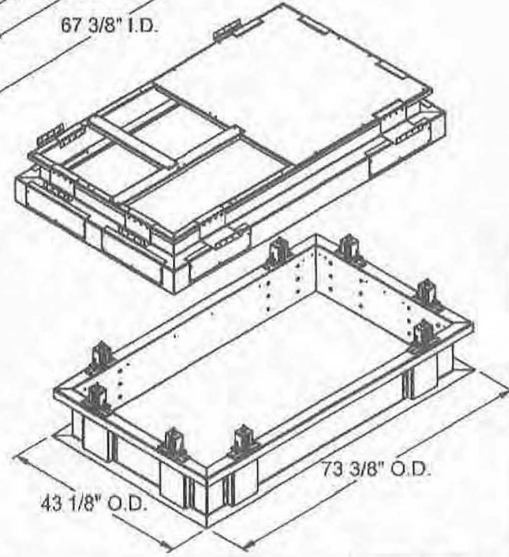
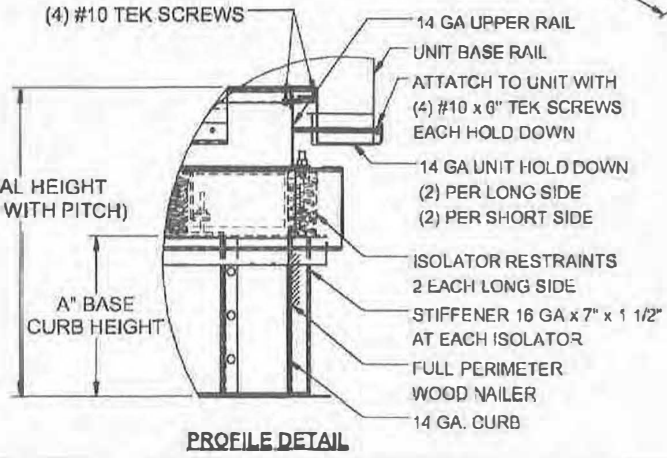
ZX 04-07; XX A7; ZY, ZQ, XY, XQ 04-06



PROVENT P/N	A	B	EST. WEIGHT
CBISCPRS18**	8"	18"	305 Lbs.
CBISCPRS21**	11"	21"	320 Lbs.
CBISCPRS24**	14"	24"	335 Lbs.

\*\*Note: Spring configuration must be added to part number at time of order

Meets seismic requirements for the following codes:  
CBC 2016  
IBC 2015



3847 WABASH DRIVE  
MIRA LOMA, CA 91752  
PHONE (951) 685-1101  
FAX (619) 872-9799

SUBMITTED TO:  
COMPANY:  
JOB NAME:  
EQUIPMENT:  
NOTES:

FORM NO:  
CBISC-05  
DATE:  
9/27/2018

PART NUMBER:  
-  
REV:  
1  
DRAWN BY:  
ALL