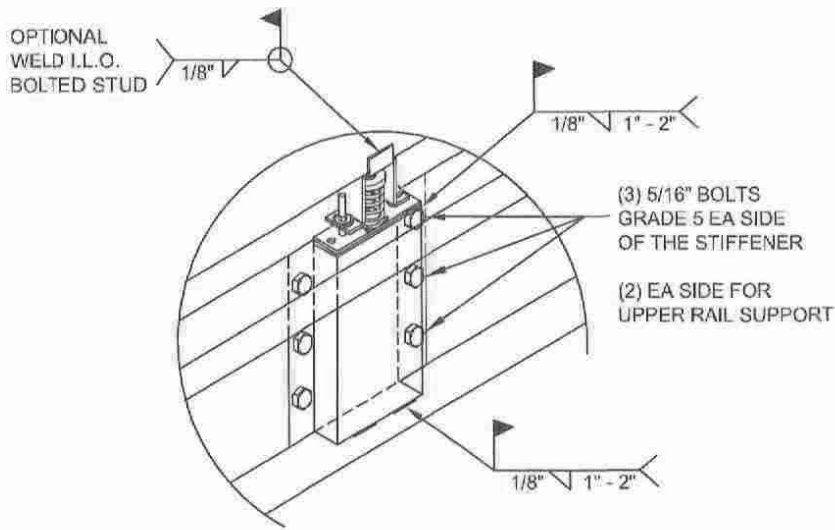


WELDMENT AND BOLTING DETAIL

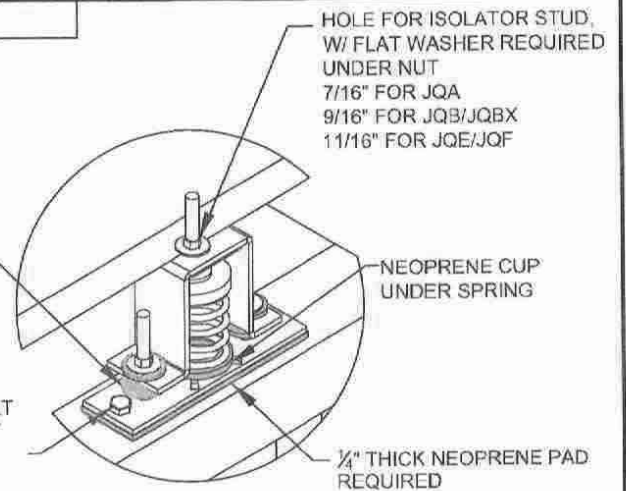


BASE CURB SUPPORT

OPTIONAL BOTTOM BUMPER FOR:
ISCALSLU180
ISCALSML1830

FOR JQA:
3/16"Ø HOLE USE 1/2"Ø A307 BOLT WITH FLAT WASHER AND NUT

FOR JQB, JQBX, JQE, JQF:
1/4"Ø HOLE USE 5/8"Ø A307 BOLT WITH FLAT WASHER AND NUT



FOR BOLT ON ISOLATORS



3847 WABASH DRIVE
MIRA LOMA, CA 91725

PHONE (951) 685-1101
FAX (619) 872-9799

SUBMITTED TO: _____
COMPANY: _____
JOB NAME: _____
EQUIPMENT: _____
NOTES: _____

FORM NO:
CB-61

DATE:
02/08/18

REV:
1

DRAWN BY:
ALL