

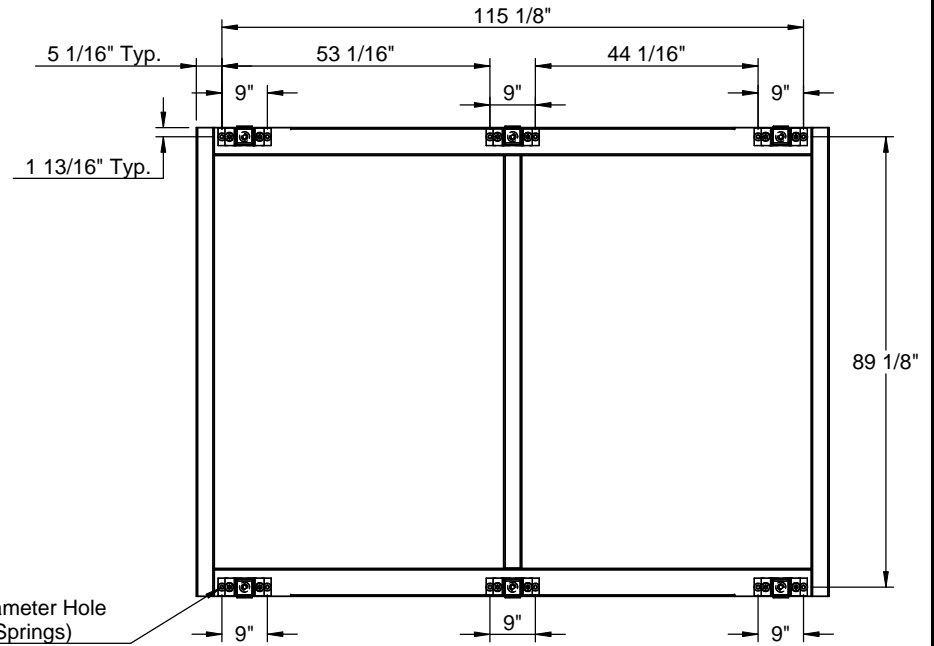
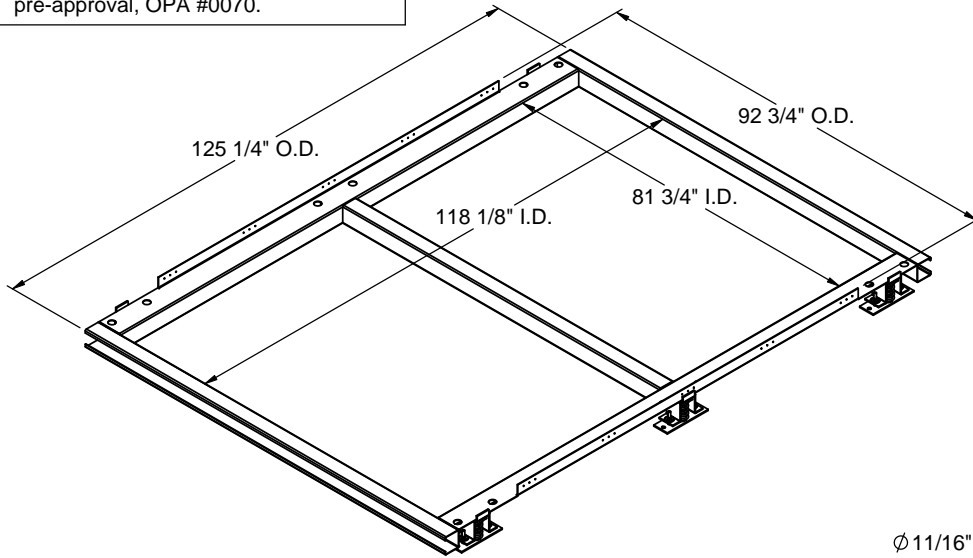
FEATURES

- Fully welded construction.
- 10 Ga. galvanized support frame.
- Estimated weight - 333 Lbs.
- Gasketing package provided.
- Restraints and springs have OSHPD pre-approval, OPA #0070.

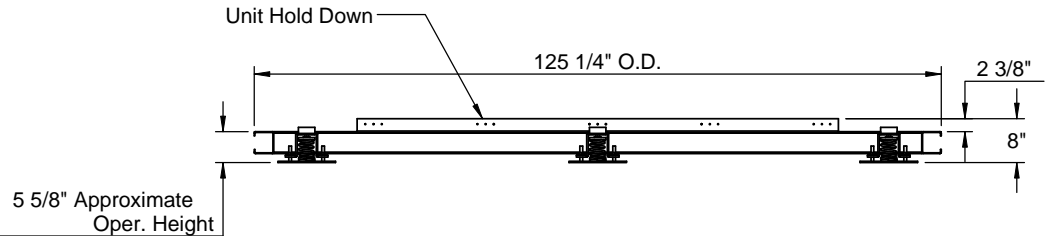
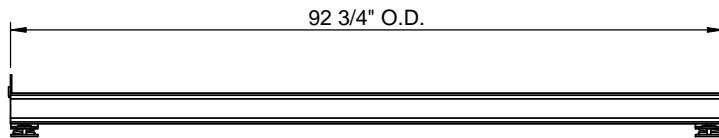
VIBRATION ISOLATION FRAME FOR HORIZONTAL YORK UNITS - LOW PROFILE

DH/DM/DCE/DCG/DEE/DEG/BCH/BP/ZF 180

Unit Model	Power Exhaust?	Provent P/N
DH, DM, DCE, DCG, DEE, DEG, BCH, BP, ZF 180	N/A	CBISHSLU1801



Anchorage Location Detail



3847 WABASH DRIVE
MIRA LOMA, CA 91752

PHONE (951) 685-1101
FAX (619) 872-9799

SUBMITTED TO: _____
 COMPANY: _____
 JOB NAME: _____
 EQUIPMENT: _____
 NOTES: _____

FORM NO:
CBISH-113

PART NUMBER:
CBISHSLU180 - SERIES

DATE:
11/12/2012

REV:
2

DRAWN BY:
CNG