

FEATURES:

- Roof curb sides and ends are 16 ga. galvanized steel.
- Fully welded construction.
- Gasketing package provided.
- Heat treated wood nailer provided.
- Insulated deck pan provided.
- Pitched curbs and taller curbs are available.
- CalDyn OSHPD pre-approved 2" deflection seismic restraints. (OPA-0070) JQA.

NOTES

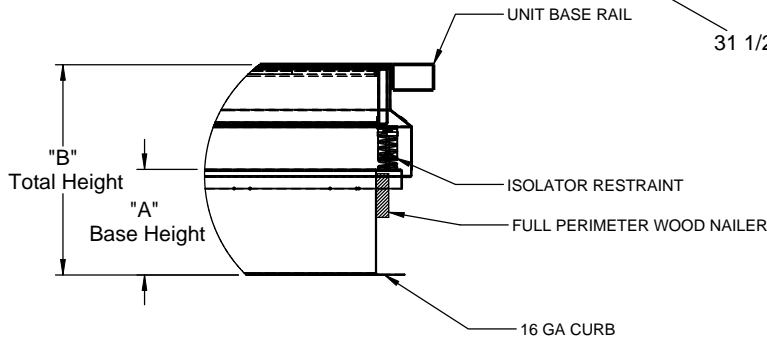
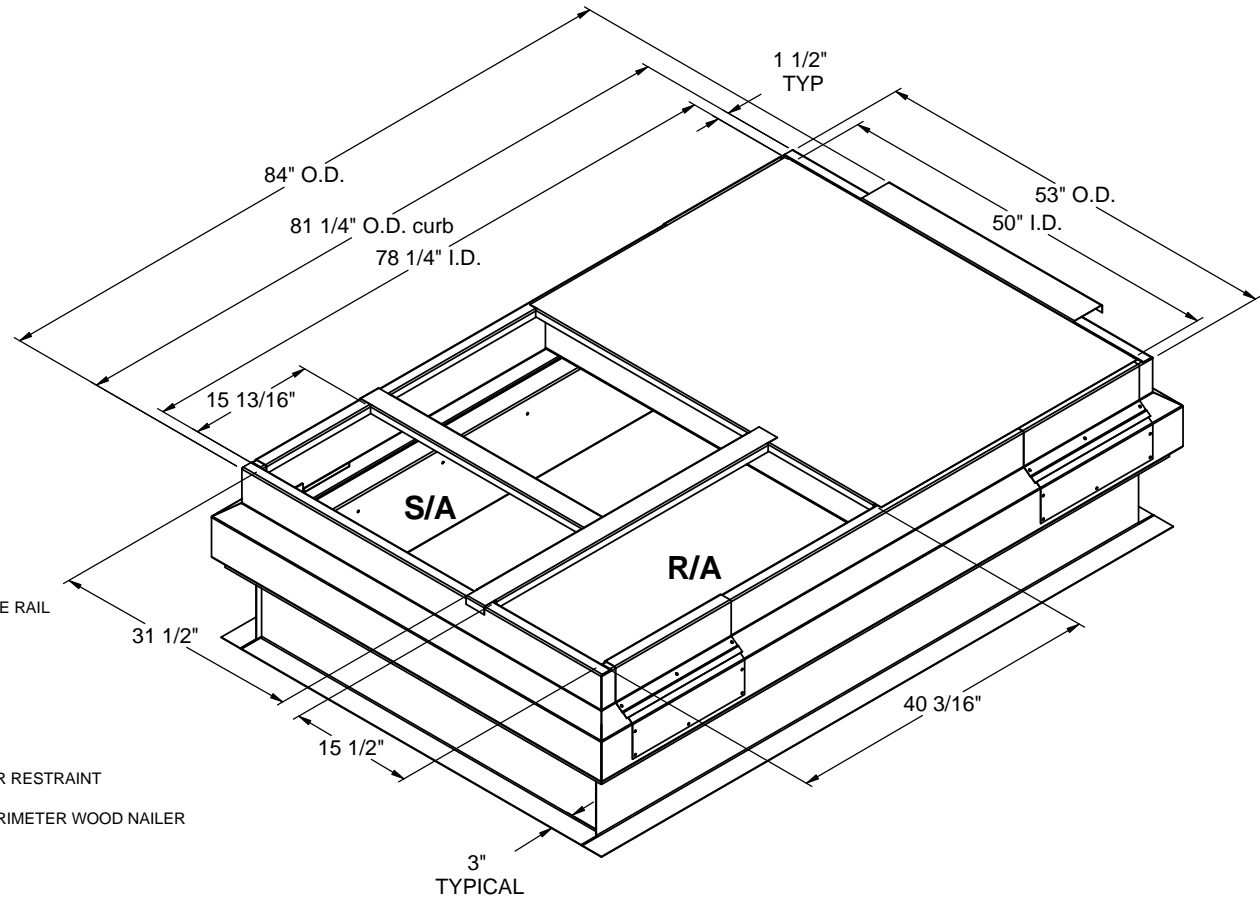
Attach ductwork to roof curb. Flanges of duct rest on top of curb. Support ductwork below the curb.

VIBRATION ISOLATION ROOF CURB FOR YORK UNITS

ZX, ZY 08-12; ZX 14; ZY 07

| PROVENT P/N | A | B | WEIGHT |
|-------------|-----|-----|----------|
| CBISPR19** | 8" | 19" | 330 Lbs. |
| CBISPR122** | 11" | 22" | 345 Lbs. |
| CBISPR125** | 14" | 25" | 360 Lbs. |

****Note:** Spring configuration must be added to part number at time of order.



SIDE VIEW DETAIL



3847 WABASH DR.
MIRA LOMA, CA 91752

PHONE (951) 685-1101
FAX (619) 872-9799

JOB NAME: _____
 ADDRESS: _____

 NOTES: _____

FORM NO:
CBIS-118

DATE:
4/14/2014

PART NUMBER:
CBISPR1 SERIES

REV:
1

DRAWN BY:
CNG