

FEATURES

- Roof curb base 14 ga.
- Roof curb upper rail 14 ga.
- Fully welded construction.
- Gasketing package provided.
- Heat treated wood nailer provided.
- insulated deck pans provided.
- Pitched curbs and taller curbs are available.

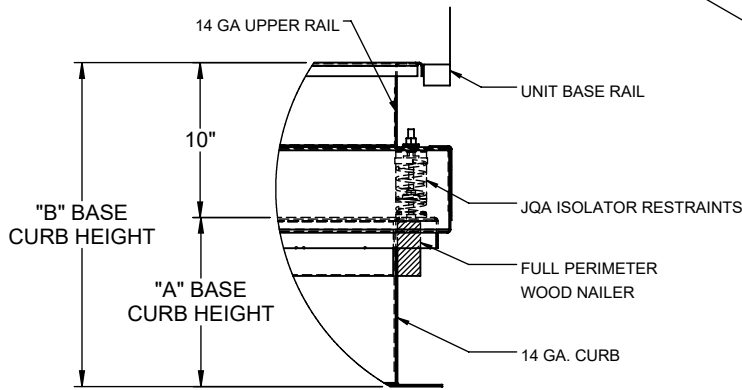
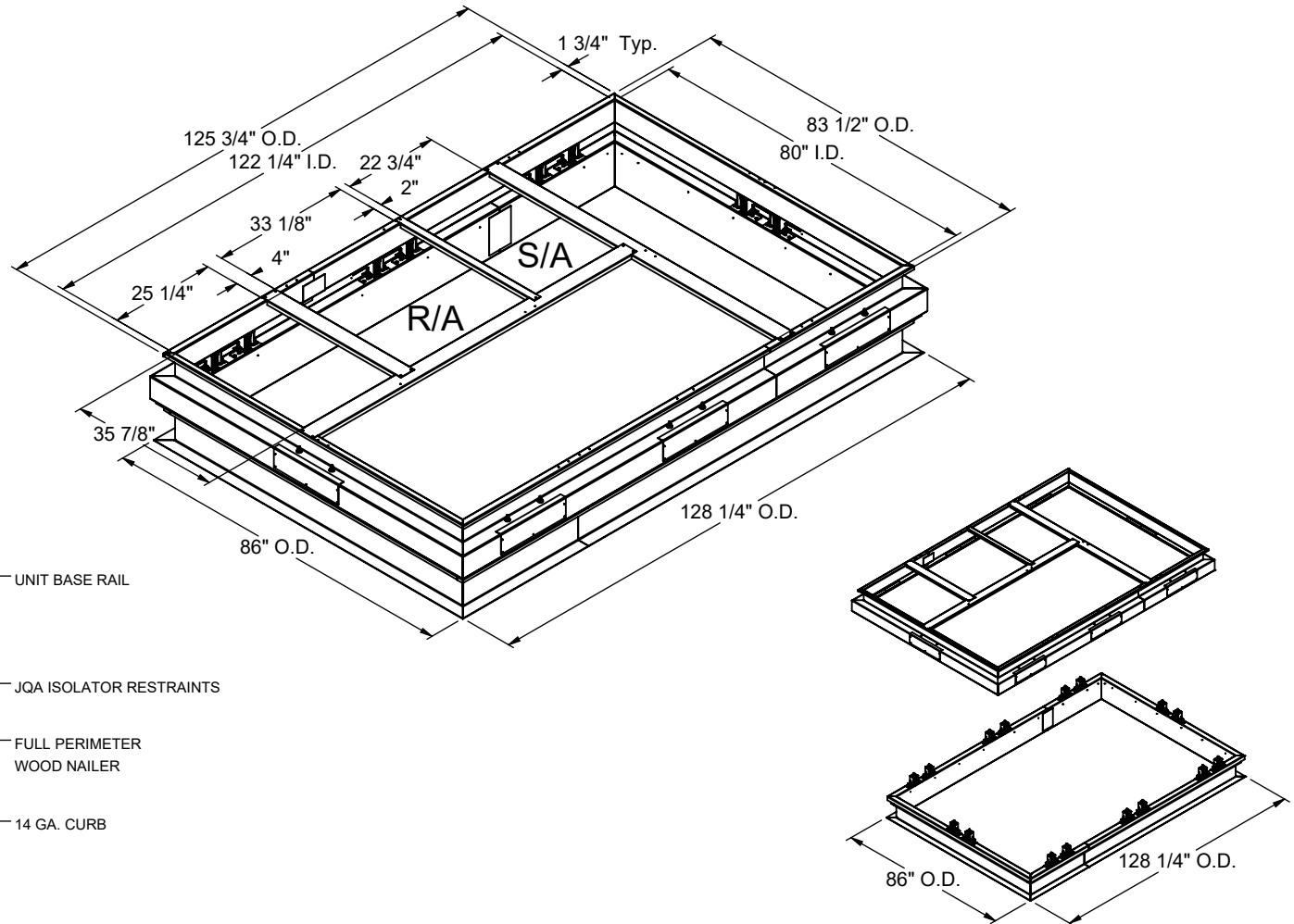
NOTES

- Attach ductwork to roof curb. Flanges of duct rest on top of the curb, Support ductwork below the curb.
- Thru the curb utilities are available. Contact you York distributor or Provent directly.

**VIBRATION ISOLATION ROOF CURBS
YORK UNITS**

ZJ, ZR 180-300; XP 180-240
ZF 210-300; ZT 180-276

PROVENT P/N	A	B	EST. WEIGHT
CBISSLM183018**	8"	18"	517 Lbs
CBISSLM183021**	11"	21"	541 Lbs
CBISSLM183024**	14"	24"	565 Lbs



PROFILE DETAIL



3847 WABASH DRIVE
MIRA LOMA, CA 91752
PHONE (951) 685-1101
FAX (619) 872-9799

SUBMITTED TO: _____
COMPANY: _____
JOB NAME: _____
EQUIPMENT: _____
NOTES: _____

FORM NO:
CBIS-105
DATE:
6/23/2021

PART NUMBER:
-
REV:
2
DRAWN BY:
ALL