

FEATURES

- Roof curb sides and ends are 14 ga. galvanized steel.
- Fully welded construction.
- Gasketing package provided.
- Heat treated wood nailer provided.
- Pitched, different height, taller and calculated curbs are available.
- Restraints and springs have OSHPD Pre-Approval, OPA #0070.

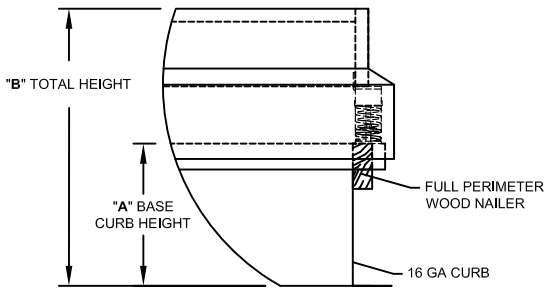
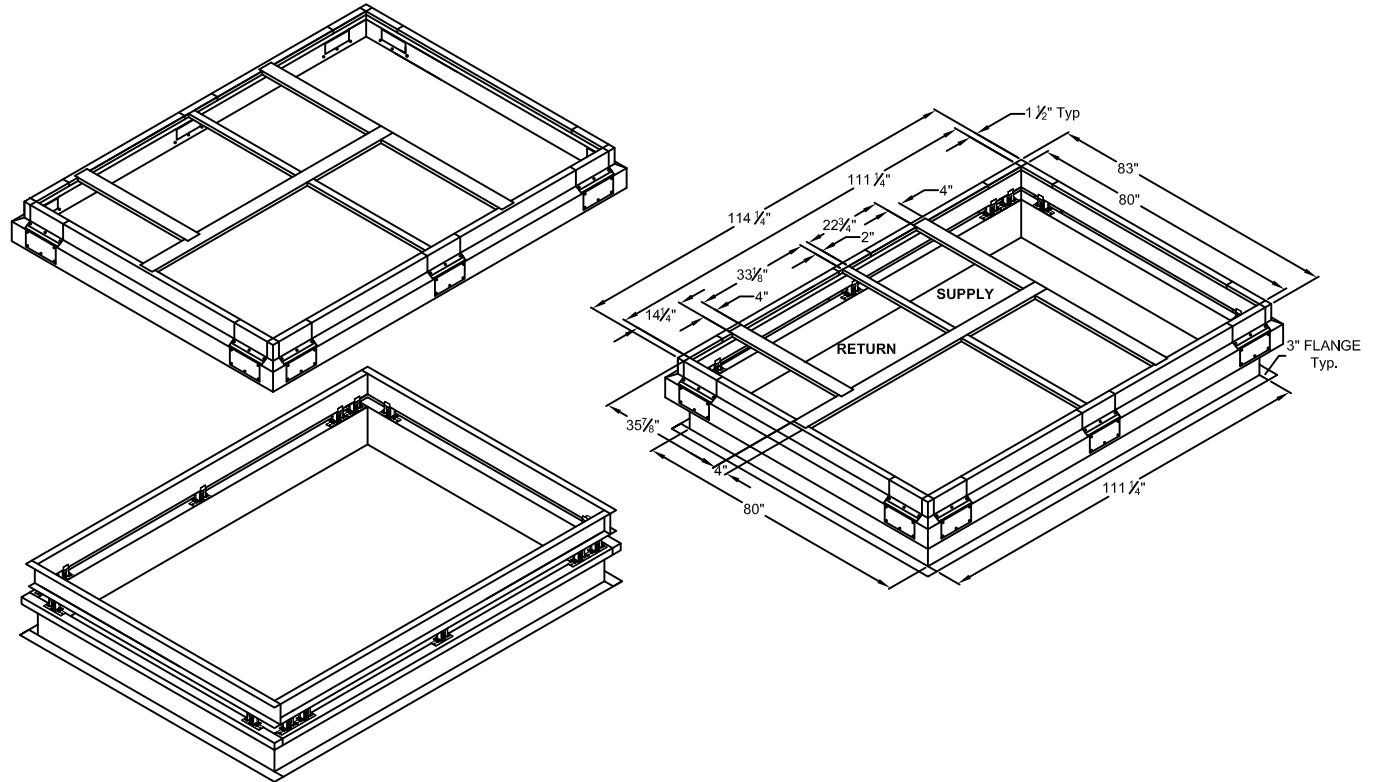
NOTES

- Attach ductwork to roof curb. Flanges of duct rest on top of curb. Support ductwork below the curb.

VIBRATION ISOLATION CURBS FOR YORK UNITS

ZF/DH/DM/BP 180

ProVent P/N	A	B	WEIGHT
CBISSLU18019	8"	19"	495 Lbs
CBISSLU18022	11"	22"	517 Lbs
CBISSLU18025	14"	25"	540 Lbs



PROFILE DETAIL



3847 WABASH DRIVE
MIRA LOMA, CA 91752

PHONE (951) 685-1101
FAX (619) 498-9247

SUBMITTED TO: _____
 COMPANY: _____
 JOB NAME: _____
 EQUIPMENT: _____
 NOTES: _____

FORM NO:
CBIS-104

DATE:
03/25/13

PART NUMBER:
CBISSLU180 SERIES

DRAWN BY:
CNG