

FEATURES

- Roof curb sides and ends are 18 ga. galvanized steel.
- Perimeter upper frame supplied with pre-punch assembly holes.
- Assembly hardware provided for field assembly.
- Gasketing package provided.
- Heat treated wood nailer provided.
- Insulated deck pans provided.

NOTES

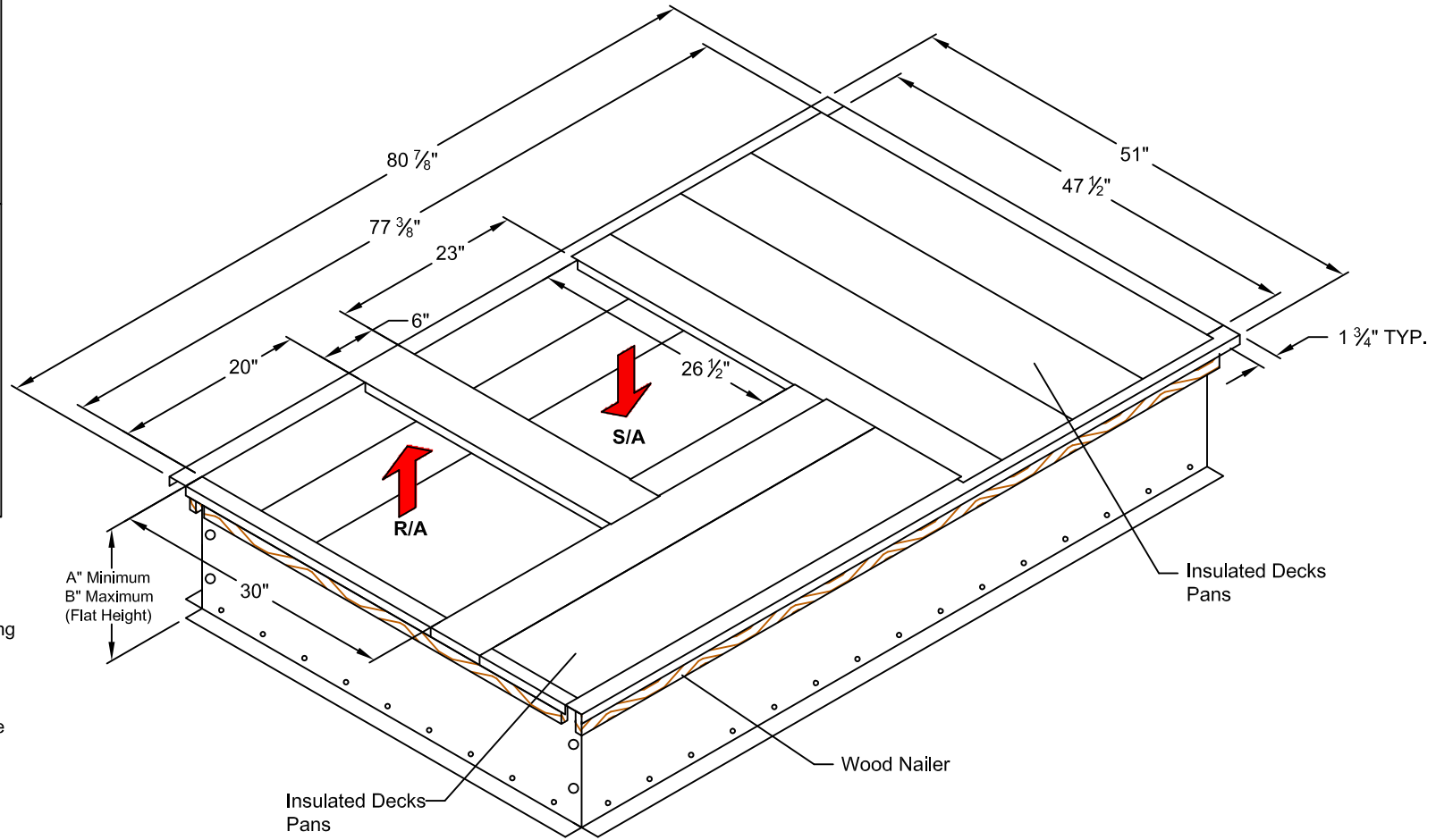
- Ductwork must be 3/4" smaller than duct openings shown.
- Adjust up to 1" in 12" pitch in either direction.
- Attach ductwork to roof curb. Flanges of duct rest on top of curb. Support ductwork below the curb.
- Thru the curbs utilities are available. Contact your York distributor or Provent directly.

KNOCK-DOWN ADJUSTABLE PITCH / ADJUSTABLE HEIGHT CURBS FOR YORK UNITS

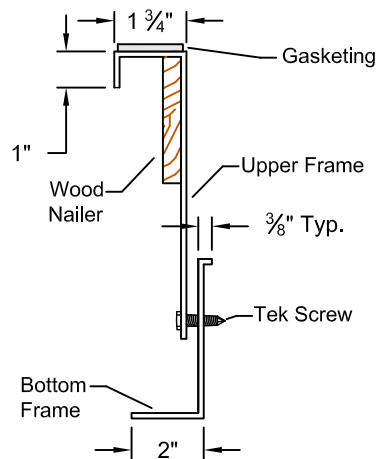
ZH/ZJ 037, 049, 061

ZF/ZH/ZJ/ZR/XP/DH/DM/DF/DR/BP 078-150: DJ 150

ProVent P/N	A	B	WEIGHT
CBAKDPRD371508	8"	12"	155 Lbs
CBAKDPRD371511	11"	15"	169 Lbs
CBAKDPRD371514	14"	18"	184 Lbs



Detail



3847 WABASH DRIVE
MIRA LOMA, CA 91752
PHONE (951) 685-1101
FAX (619) 498-9247

SUBMITTED TO: _____
COMPANY: _____
JOB NAME: _____
EQUIPMENT: _____
NOTES: _____

FORM NO:
CBAKD-117
DATE:
01/15/13

PART NUMBER:
CBAKDPRD3715 SERIES
DRAWN BY:
CNG