



INSTALLATION INSTRUCTIONS CBAKDSUN3672 Series Roof Curbs

ProVent roof curbs have been designed to optimize structural code building requirements while at the same time minimizing the installation procedure. Please read these instructions carefully before beginning.

ROOF CURB LIST OF MATERIALS

Roof Curb Part No.	Height	Tek Screw #14x3/4"	Tek Screw #12x3/4"	Top Sides	Top Ends	Base Sides	Base Ends	Duct Supports	Gasket 1-1/2" x 1/4" x 10' 1-1/2" x 1/4" x 23'
CBAKDSUN367208	8"	21	45	2	2	2	2	3	33 ft.
CBAKDSUN367211	11"								
CBAKDSUN367214	14"								

Instructions

Adjustable pitch curb is for roofs with pitches up to 1" in 12".
(Will adjust higher when end of curb is pitched.)

Part No.	H
CBAKDSUN367208	8"
CBAKDSUN367211	11"
CBAKDSUN367214	14"

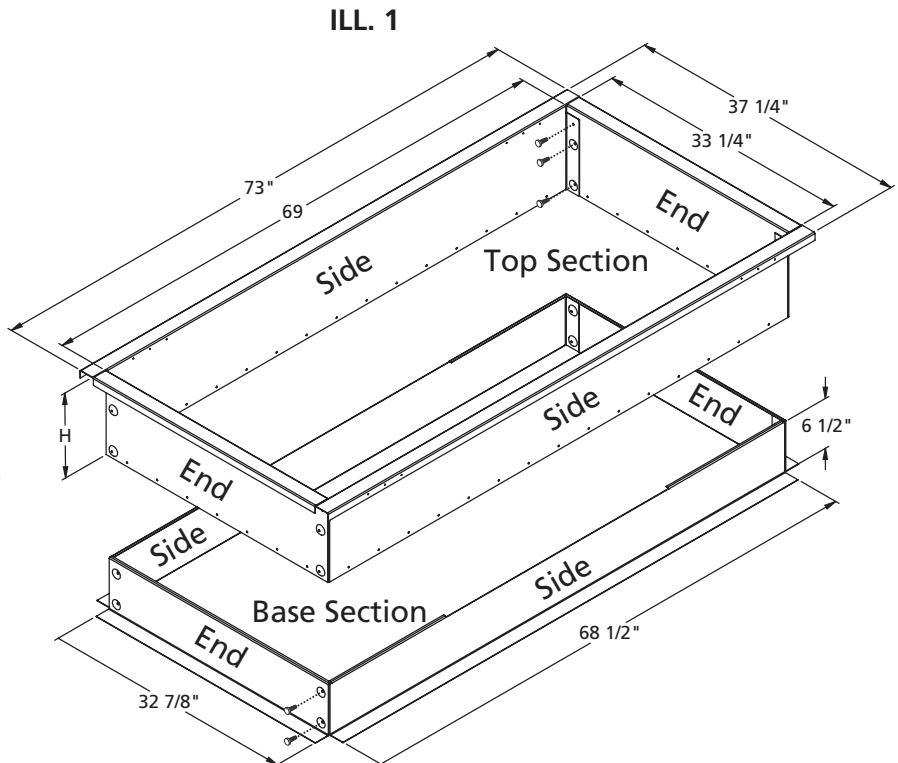
1. Remove curb from package and separate parts for top section, base section and supports.
(As shown in ILL. 1.)

2. Base: Attach (2) sides and (2) ends. Attachment flanges on ends go to inside of sides.

Use #14x3/4" tek screws in each corner to assemble. Screws are inserted from outside curb inwards.

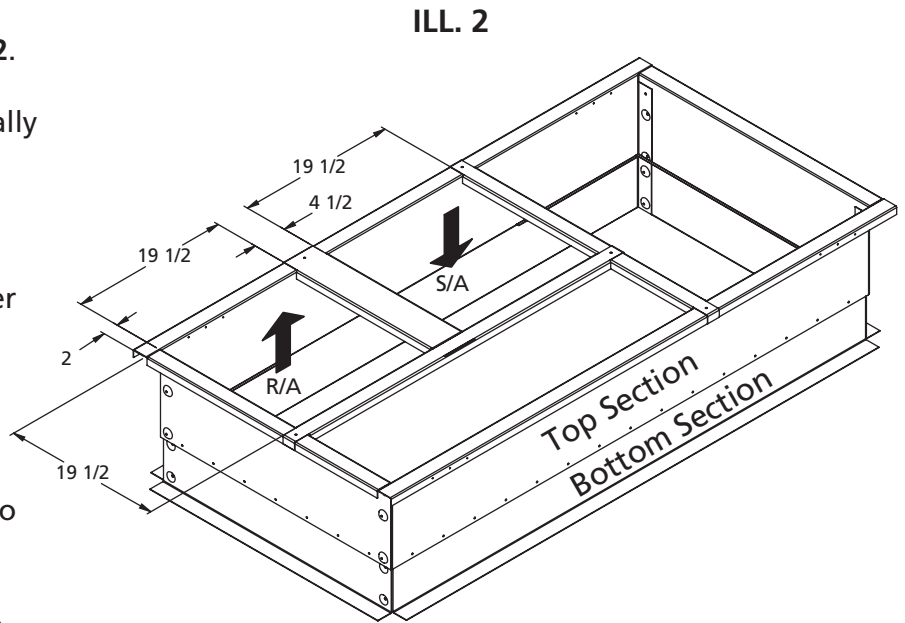
3. Top: Assemble (2) sides and (2) ends. Attachment flanges on ends go to inside of sides.

Use #14x3/4" tek screws in each corner to assemble. Top screw will go into wood nailer. Screws are inserted from inside curb outward.



ADJUSTABLE PITCH / ADJUSTABLE HEIGHT CURB INSTRUCTIONS (CONTINUED)

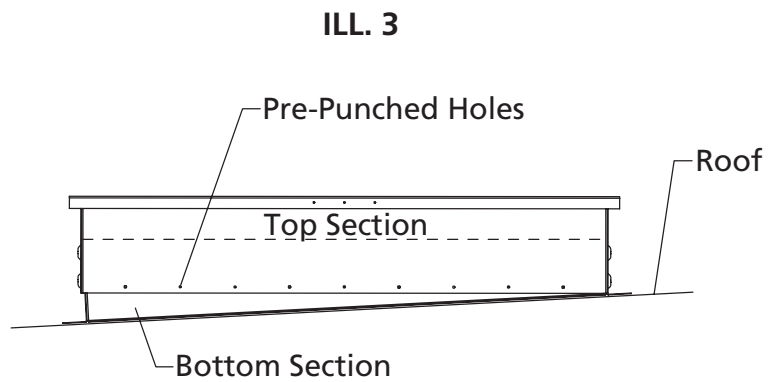
4. Install duct supports as shown in **ILL. 2**.
5. Square up curb by measuring diagonally across curb corners. Set curb in place over roof opening.
6. Manufacture duct drop onto curb. Install gasketing around top perimeter of curb and around top duct flanges.
7. Locate base assembly over roof openings. Roof opening sizes listed in HVAC unit specifications are appropriate. Secure bottom section to roof.
8. Slide top section over bottom section. Level top section and clamp in place. (**ILL. 3**)



Note: This curb can be used on roofs with pitch up to 1" in 12". If curb is pitched on short side, roof pitch can be even greater.

9. Through pre-punched holes along bottom base of top section, insert #12x3/4" tek screws. This will secure top section to bottom section. (**ILL. 4**)

Pre-punch holes are 6" apart. It is important that you install the screws through every hole.



10. Roof in curb according to local or other appropriate codes.
11. Manufacture supply and return duct according to dimensions shown in **Table 1**.

TABLE 1

DUCT SIZE	
Return Duct	Supply Duct
18-5/8" Square	18-5/8" Square

