

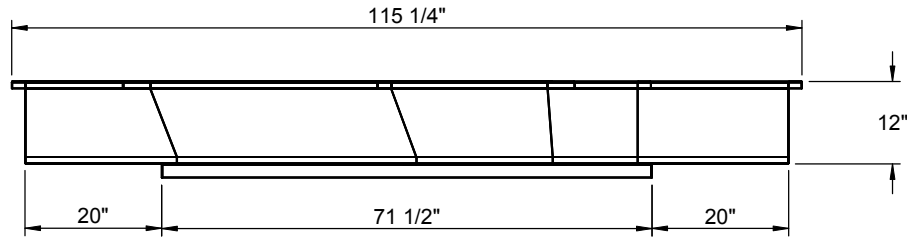
FEATURES:

- Gasketing package provided.
- Insulation: 1"-1.5 lb. Density.
- Estimated Weight: 360 Lbs.
- All Galvanized Welded Construction.

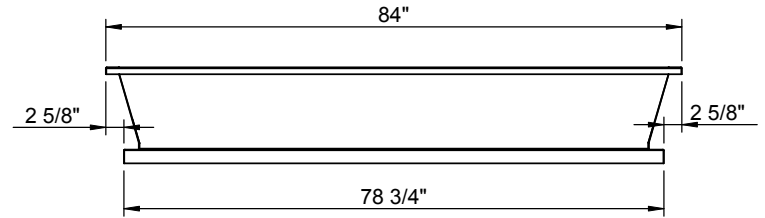
CURB ADAPTER

EXISTING CARRIER:
48/50 TM 016-024, TJ 016-028, HJ 015-017 50HJQ 014

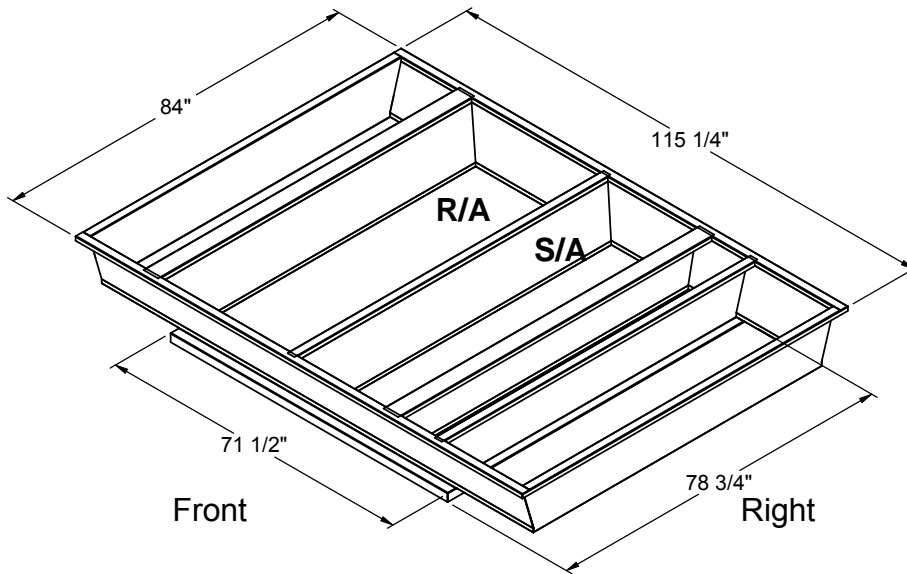
FOR YORK UNITS:
DH/DM/BP/ZF 180



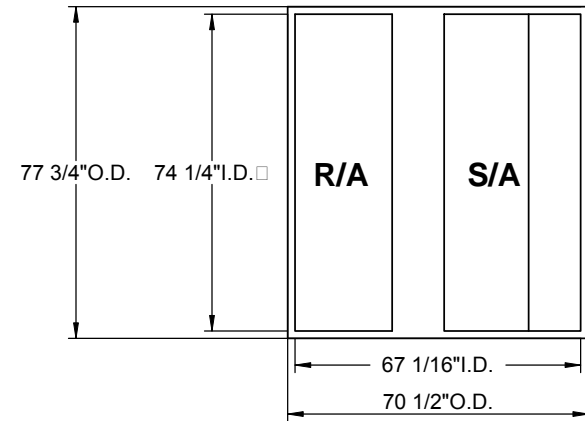
FRONT VIEW



RIGHT VIEW



ISOMETRIC VIEW



EXISTING CURB



3847 WABASH DRIVE
MIRA LOMA, CA. 91752

PHONE (951) 685-1101
FAX (619) 872-9799

SUBMITTED TO: _____
COMPANY: _____
JOB NAME: _____
EQUIPMENT: _____
NOTES: _____

FORM NO: _____
DATE: 1/31/2011

PART NUMBER:
CA-SLU180-CAR03
REV: 4
DRAWN BY:
CNG