

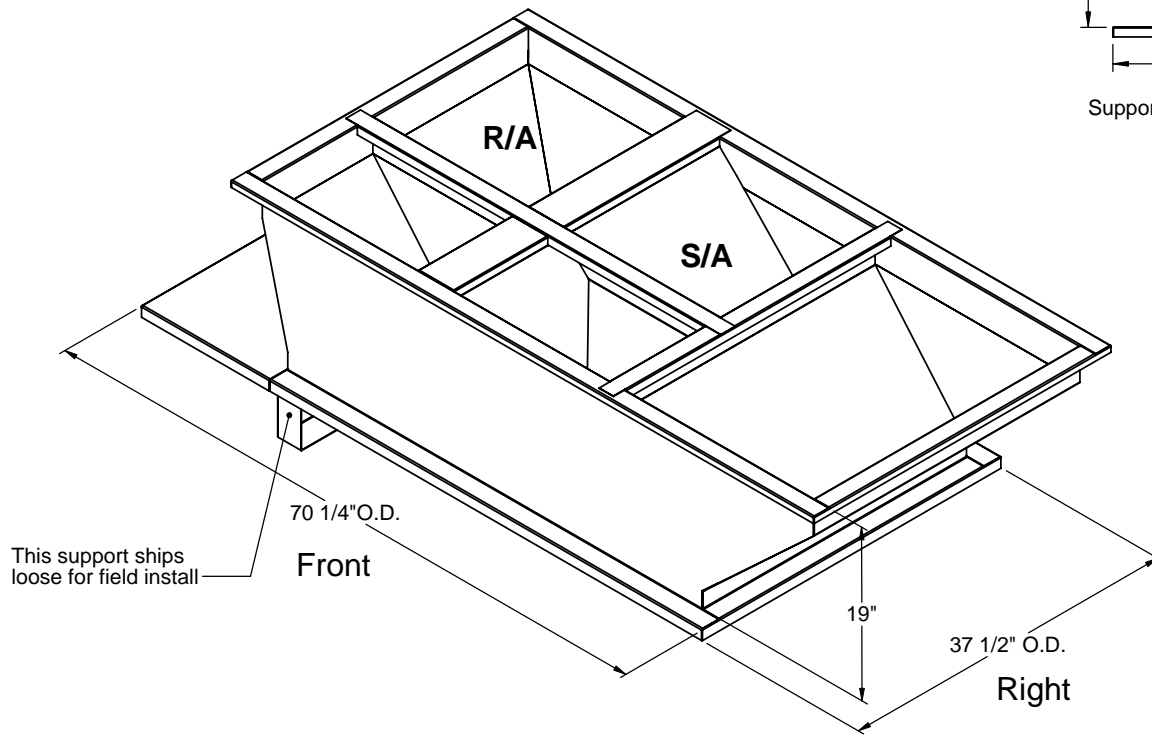
FEATURES:

- Gasketing package provided.
- Insulation: 1"-1.5 lb. Density.
- Estimated Weight: 146 Lbs.
- All Galvanized Welded Construction.

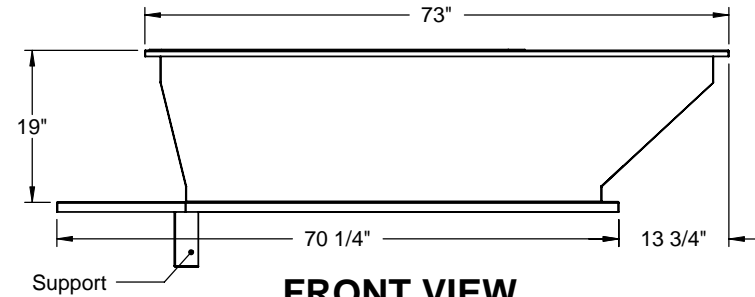
CURB ADAPTER

EXISTING CARRIER:
48 HDT/LDT 004-006, 48 HD/LD 007, 579D 036-060

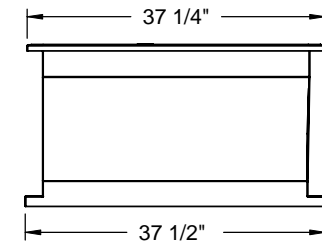
FOR YORK UNITS:
DM/DR/DCE/DCG/BP 036-072: ZJ/XP/DY/DJ/DH/DHE/DHG/BQ/BCH 036-060: DF 072



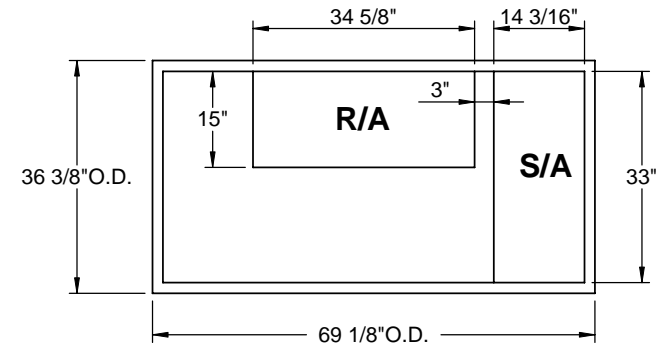
ISOMETRIC VIEW



FRONT VIEW



RIGHT VIEW



EXISTING CURB



1392 EAST PALOMAR STREET
SUITE 403-234
CHULA VISTA, CA 91913

PHONE (619) 498-9246
FAX (619) 872-9799

SUBMITTED TO: _____
COMPANY: _____
JOB NAME: _____
EQUIPMENT: _____
NOTES: _____

FORM NO:
-

PART NUMBER:
CA-SUN3672-CAR03

DATE:
4/30/2010

REV:
2

DRAWN BY:
FMM