

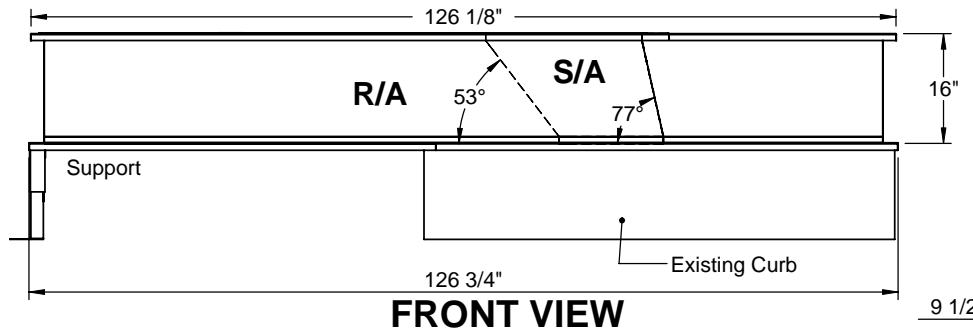
**FEATURES:**

- Gasketing package provided.
- Insulation: 1"-1.5 lb. Density.
- Estimated Weight: 543 Lbs.
- All Galvanized Welded Construction.

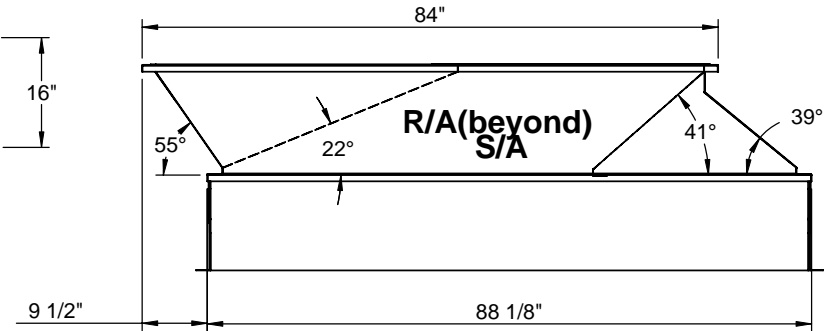
**CURB ADAPTER**

EXISTING CARRIER:  
48DD016

FOR YORK UNITS:  
ZJ/ZF/DJ/ZR/WJ/DH/DR/WR/DM 180-300 BP/BQ 240

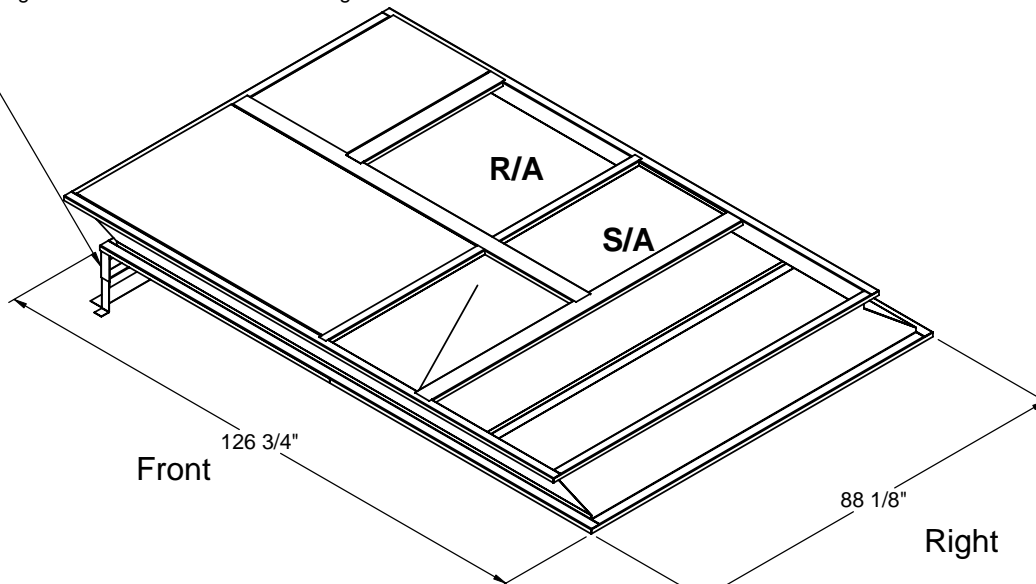


**FRONT VIEW**

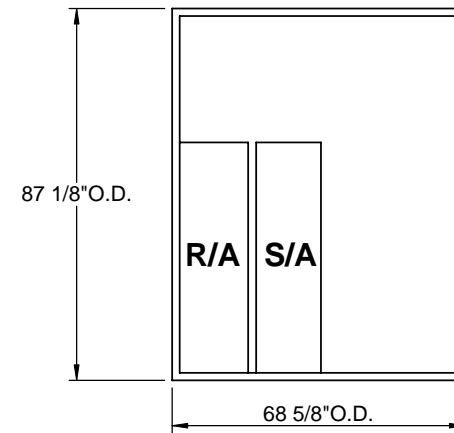


**RIGHT VIEW**

Field Adjustable Height Support  
Range: 7-1/2" min. to 13-1/2" max. height.



**ISOMETRIC VIEW**



**EXISTING CURB**



1392 EAST PALOMAR STREET  
SUITE 403-234  
CHULA VISTA, CA 91913

PHONE (619) 498-9246  
FAX (619) 872-9799

SUBMITTED TO: \_\_\_\_\_  
COMPANY: \_\_\_\_\_  
JOB NAME: \_\_\_\_\_  
EQUIPMENT: \_\_\_\_\_  
NOTES: \_\_\_\_\_

FORM NO:

DATE:  
4/27/2010

PART NUMBER:  
CA-SLU180-CAR05

REV:  
2

DRAWN BY:  
COC