

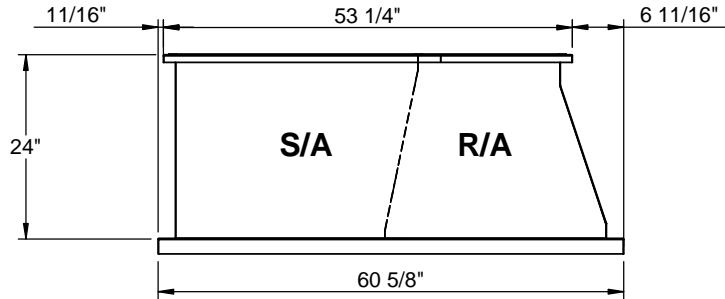
FEATURES:

- Gasketing package provided.
- Insulation: 1"-1.5 lb. Density.
- Estimated Weight: 335 Lbs.
- All Galvanized Welded Construction.

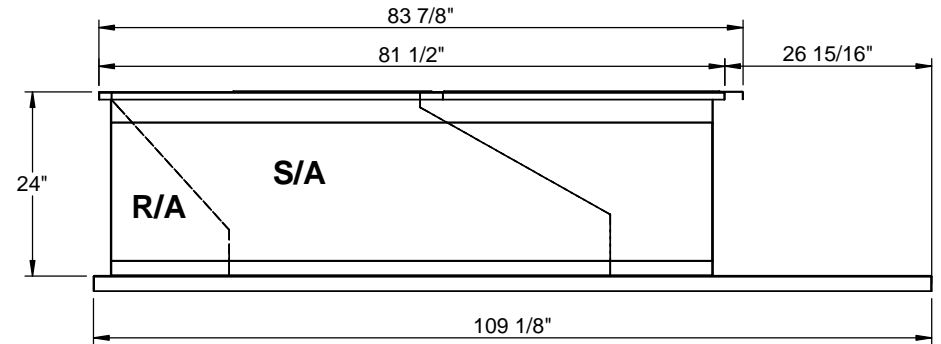
CURB ADAPTER

EXISTING LENNOX:
GCS11 1353, CHA11, CHP11 1853

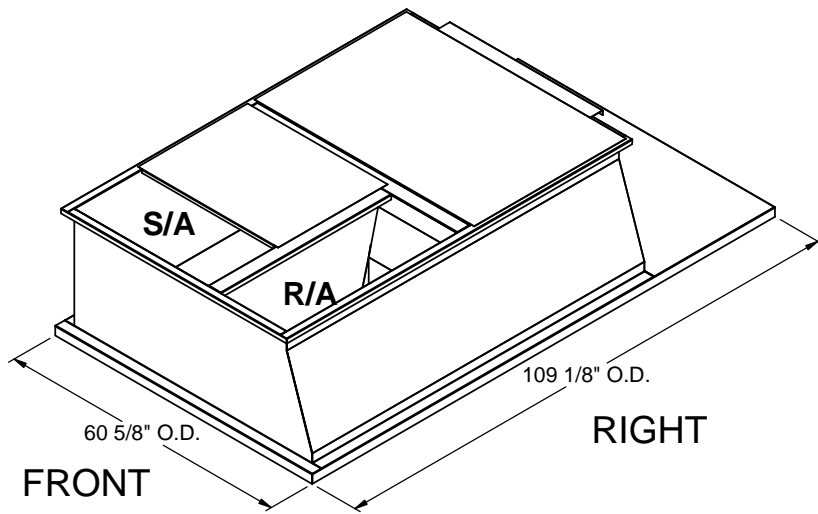
FOR YORK UNITS:
ZX, ZY 08-12; ZX 14; ZY 07



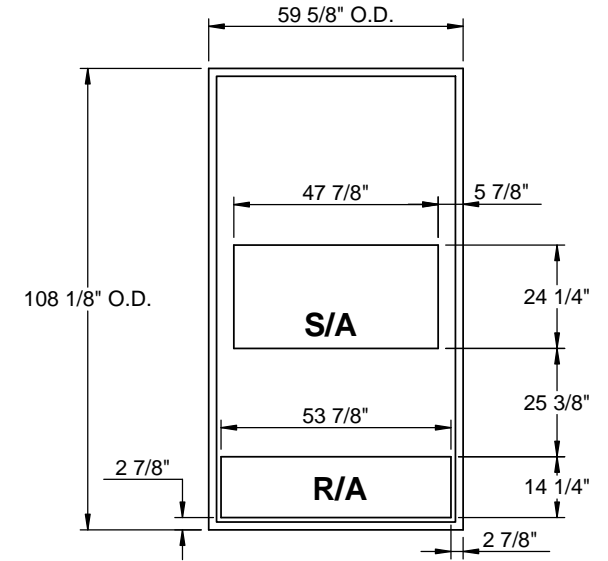
FRONT VIEW



RIGHT VIEW



ISOMETRIC VIEW



EXISTING CURB



3847 WABASH DRIVE
MIRA LOMA, CA 91752

PHONE (951) 685-1101
FAX (619) 872-9799

SUBMITTED TO: _____
COMPANY: _____
JOB NAME: _____
EQUIPMENT: _____
NOTES: _____

FORM NO:
-

PART NUMBER:
CA-PRL-LEN06

DATE:
12/8/2015

REV:
-

DRAWN BY:
FMM