

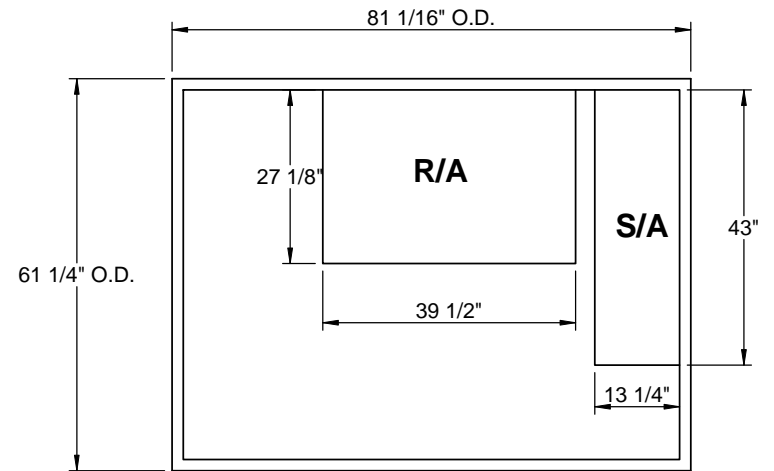
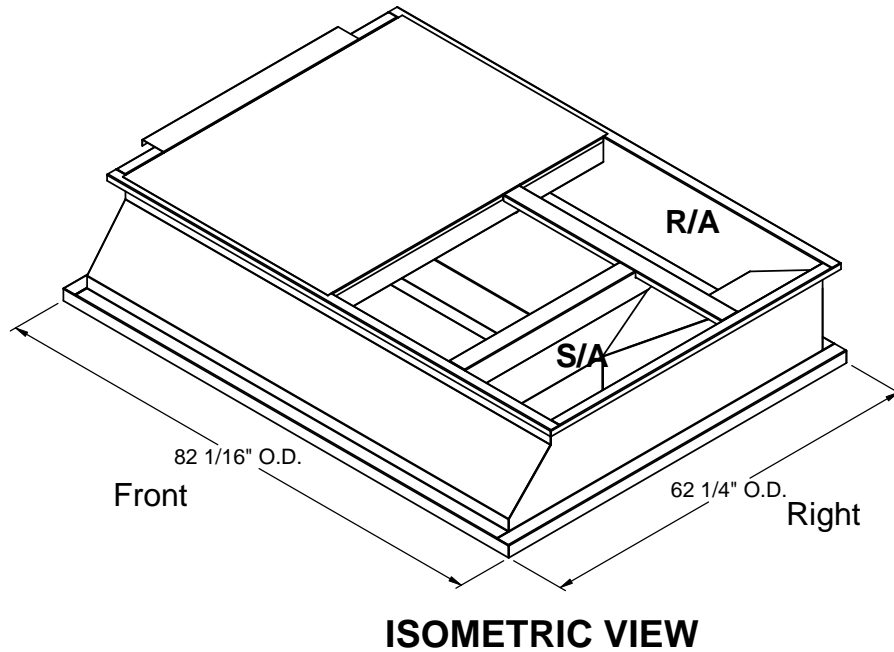
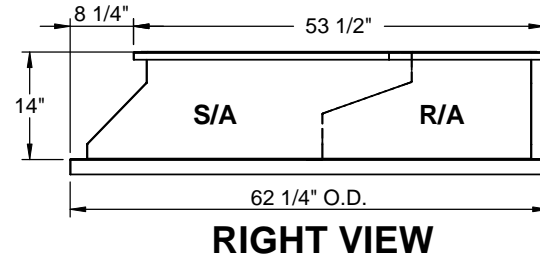
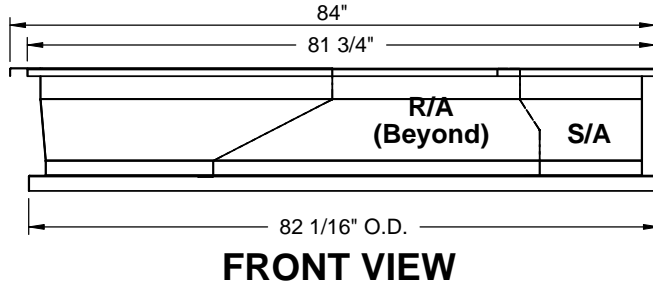
**FEATURES:**

- Gasketing package provided.
- Insulation: 1"-1.5 lb. Density.
- Estimated Weight: 222 Lbs.
- All Galvanized Welded Construction.

**CURB ADAPTER**

EXISTING BRYANT:  
585E, 579D 090  
EXISTING CARRIER:  
48HD/LD/HV/LV/HDD/LDD 008, DH 009, 48HV 006

FOR YORK UNITS:  
ZX, ZY 08-12; ZX 14; ZY 07



3847 WABASH DRIVE  
MIRA LOMA, CA 91752

PHONE (951) 685-1101  
FAX (619) 872-9799

SUBMITTED TO: \_\_\_\_\_  
COMPANY: \_\_\_\_\_  
JOB NAME: \_\_\_\_\_  
EQUIPMENT: \_\_\_\_\_  
NOTES: \_\_\_\_\_

FORM NO:  
-

PART NUMBER:  
CA-PRL-BDP02

DATE:  
8/7/2014

REV:  
2

DRAWN BY:  
CNG