

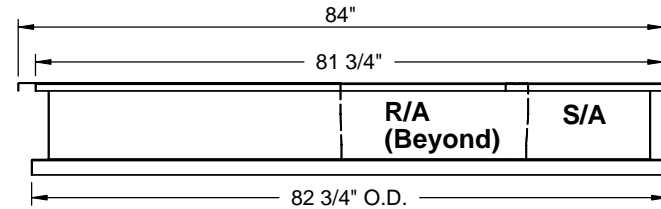
**FEATURES:**

- Gasketing package provided.
- Insulation: 1"-1.5 lb. Density.
- Estimated Weight: 167 Lbs.
- All Galvanized Welded Construction.

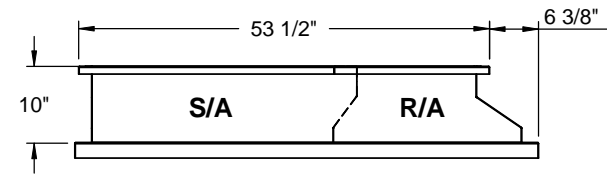
**CURB ADAPTER**

EXISTING BRYANT:  
548B, 558B, 580B 090-150

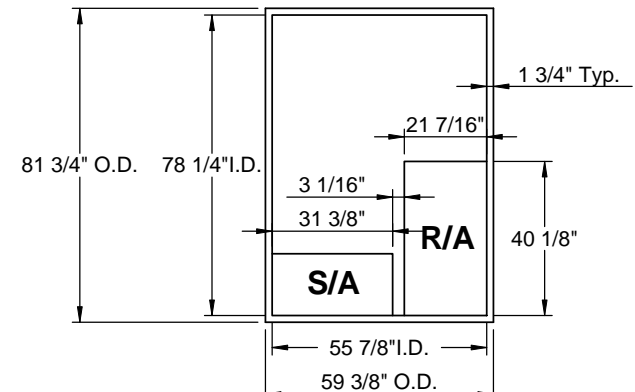
FOR YORK UNITS:  
ZX, ZY 08-12; ZX 14; ZY 074



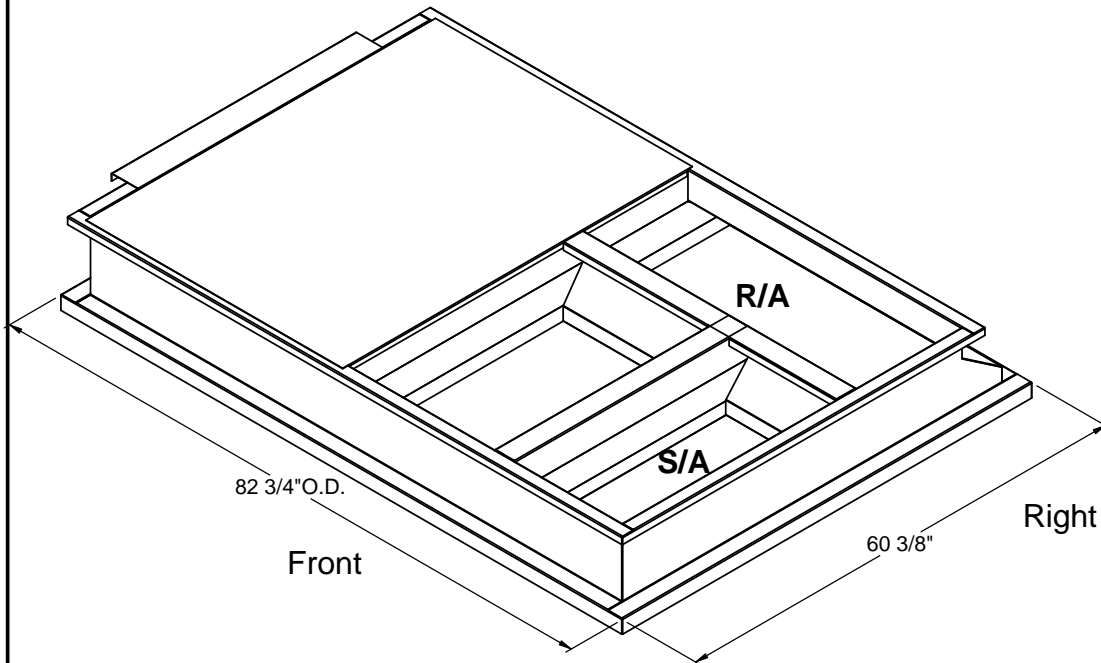
**FRONT VIEW**



**RIGHT VIEW**



**EXISTING CURB**



**ISOMETRIC VIEW**



3847 WABASH DRIVE  
MIRA LOMA, CA 91752

PHONE (951) 685-1101  
FAX (619) 872-9799

SUBMITTED TO: \_\_\_\_\_  
COMPANY: \_\_\_\_\_  
JOB NAME: \_\_\_\_\_  
EQUIPMENT: \_\_\_\_\_  
NOTES: \_\_\_\_\_

FORM NO:  
-

PART NUMBER:  
CA-PRL-BDP01

DATE:  
3/26/2014

REV:  
1

DRAWN BY:  
FMM