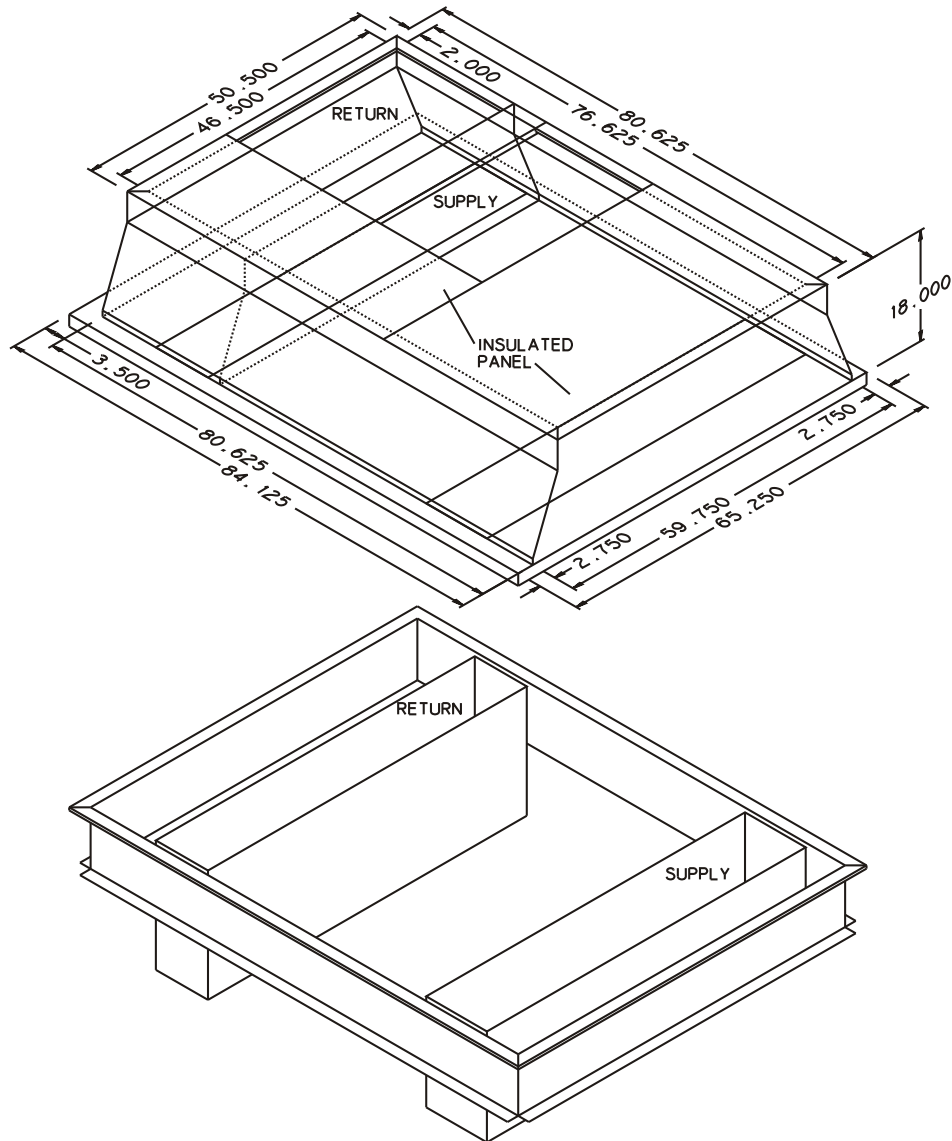




CURB ADAPTOR FOR YORK INTERNATIONAL
OLD UNIT: SPCB C12
NEW UNIT: DM/DF/DH 078-150 / DJ/DR 090-150
BP 078-150

Notes:

1. Fully welded G90 galvanized construction.
2. Fully insulated.
3. Gaskets shipped with adaptor.
4. Separate supply and return ducts only.
(No concentrics - Consult factory.)
5. Adaptor matches existing duct.
6. Existing curb O.D. Is 1 inch less than bottom skirt of adapter.



RRS ADAPTOR MODEL	DUCT TYPE	EXISTING CURB DIMENSIONS	HEIGHT
80-290-29103PV	NON-CONCENTRIC	83.00 x 64.50	18"

FOR LIST PRICES: FORM#

SEPTEMBER 29, 2010 FORM# 8029103P

