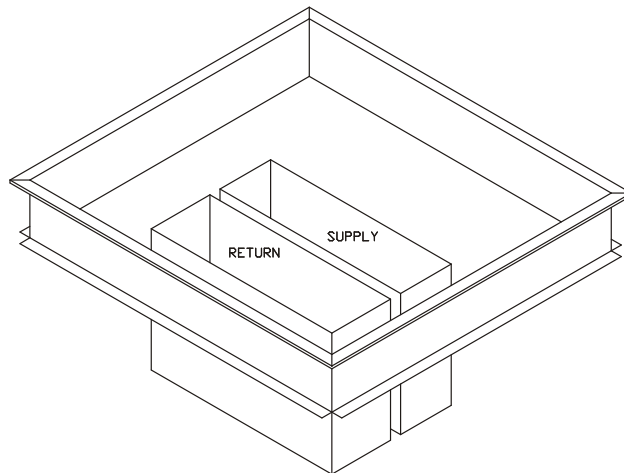
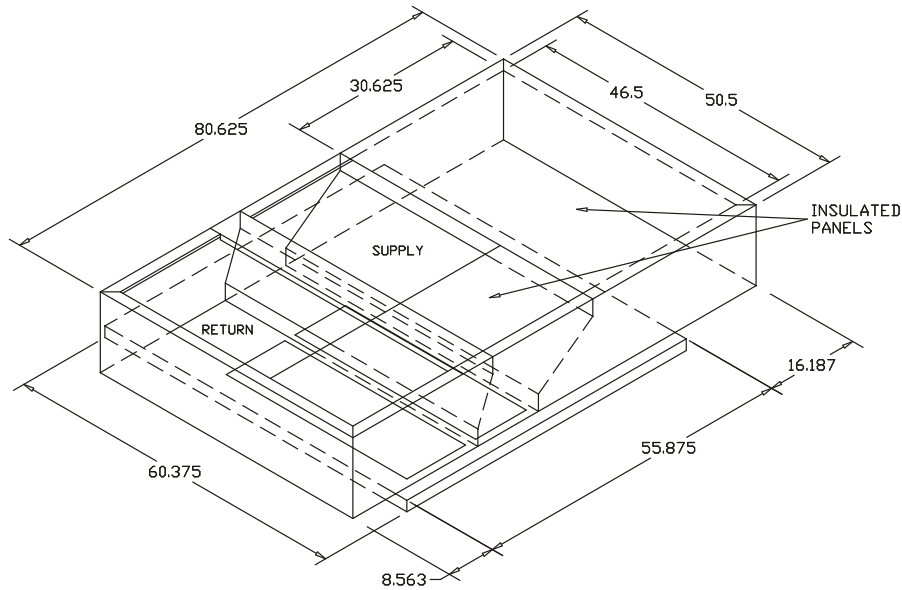




CURB ADAPTOR FOR YORK INTERNATIONAL
OLD UNIT: 48 DD 008
NEW UNIT: DM/DF/DH 078-150 / DJ/DR 090-150
BP 078-150

Notes:

1. Fully welded G90 galvanized construction.
2. Fully insulated.
3. Gaskets shipped with adaptor.
4. Separate supply and return ducts only.
(No concentrics - Consult factory.)
5. Adaptor matches existing duct.
6. Existing curb O.D. Is 1 inch less than bottom skirt of adapter.



ADAPTOR MODEL	DUCT TYPE	EXISTING CURB DIMENSIONS	HEIGHT
CA-PRD7815-CAR06	NON-CONCENTRIC	60.375 X 55.875	14"

FOR LIST PRICES: FORM#

MAY 2, 2011 FORM# 290-2914P

