

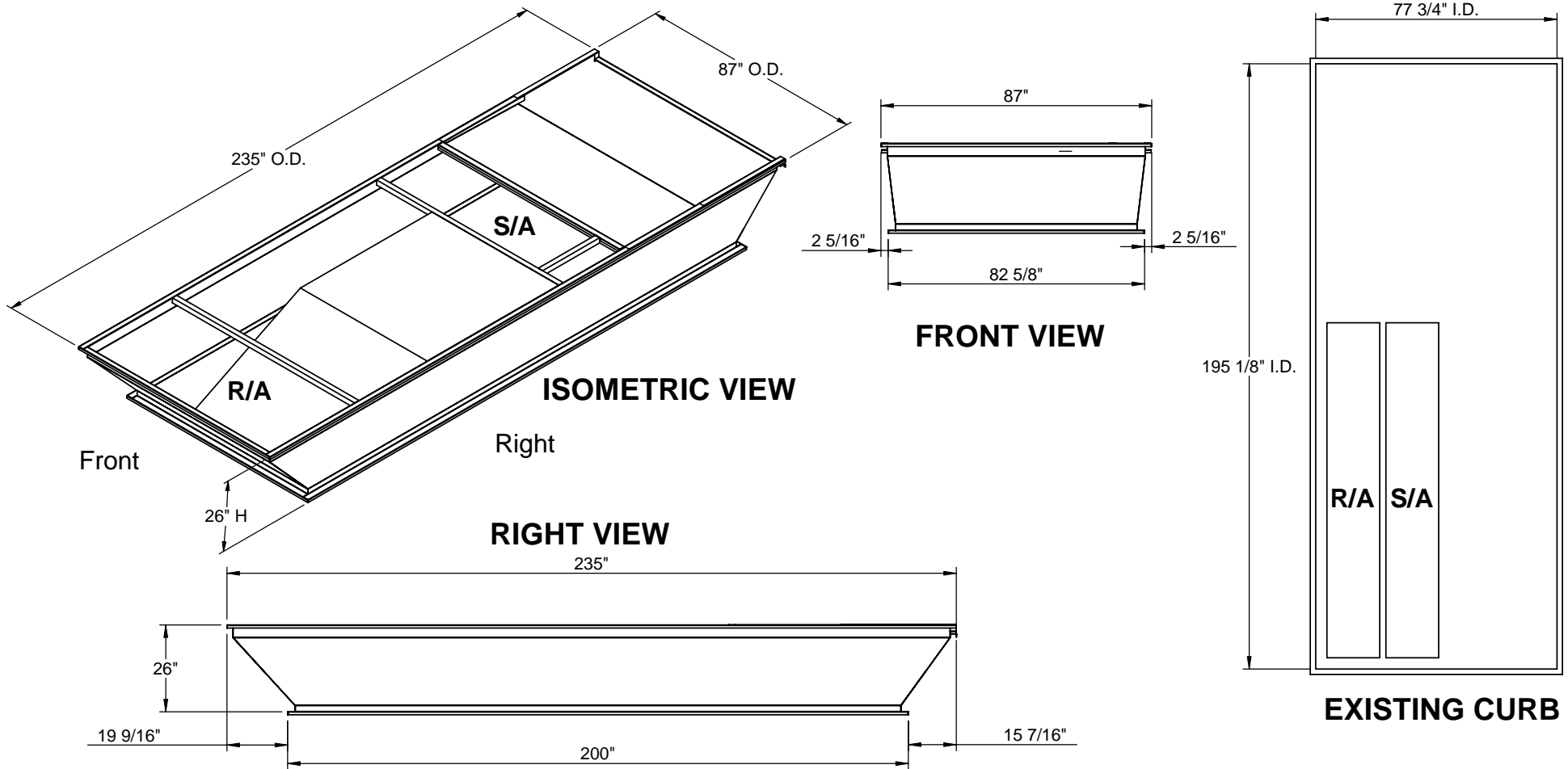
**FEATURES:**

- Gasketing package provided.
- Insulation: 1"-1.5 lb. Density.
- Estimated Weight: 700 Lbs.
- All Galvanized Welded Construction.

**CURB ADAPTER**

EXISTING CARRIER:  
48/50 DD, DF, EQ 034

FOR YORK UNITS:  
MILLENNIUM Y22, 32 / Y23, 33 / Y24, 34 / Z22, 32 / Z23, 33 / Z24, 34



1392 EAST PALOMAR STREET  
SUITE 403-234  
CHULA VISTA, CA 91913  
  
PHONE (619) 498-9246  
FAX (619) 872-9799

SUBMITTED TO: \_\_\_\_\_  
COMPANY: \_\_\_\_\_  
JOB NAME: \_\_\_\_\_  
EQUIPMENT: \_\_\_\_\_  
NOTES: \_\_\_\_\_

FORM NO:

PART NUMBER:  
CA-MIL2224-CAR01

DATE:  
4/28/2009

REV:  
1

DRAWN BY:  
MER