

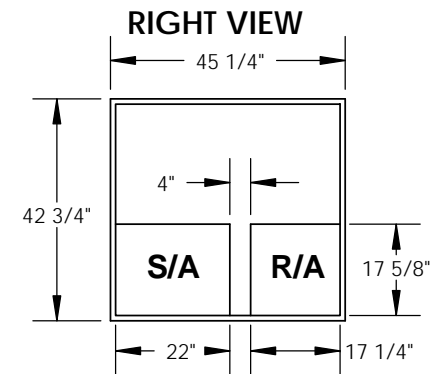
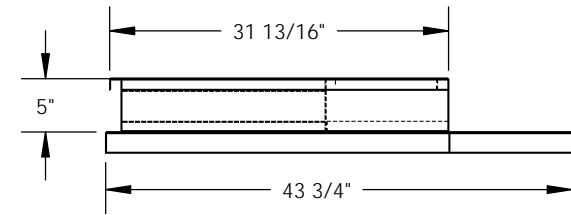
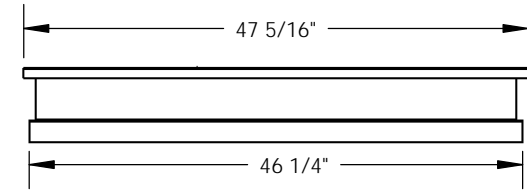
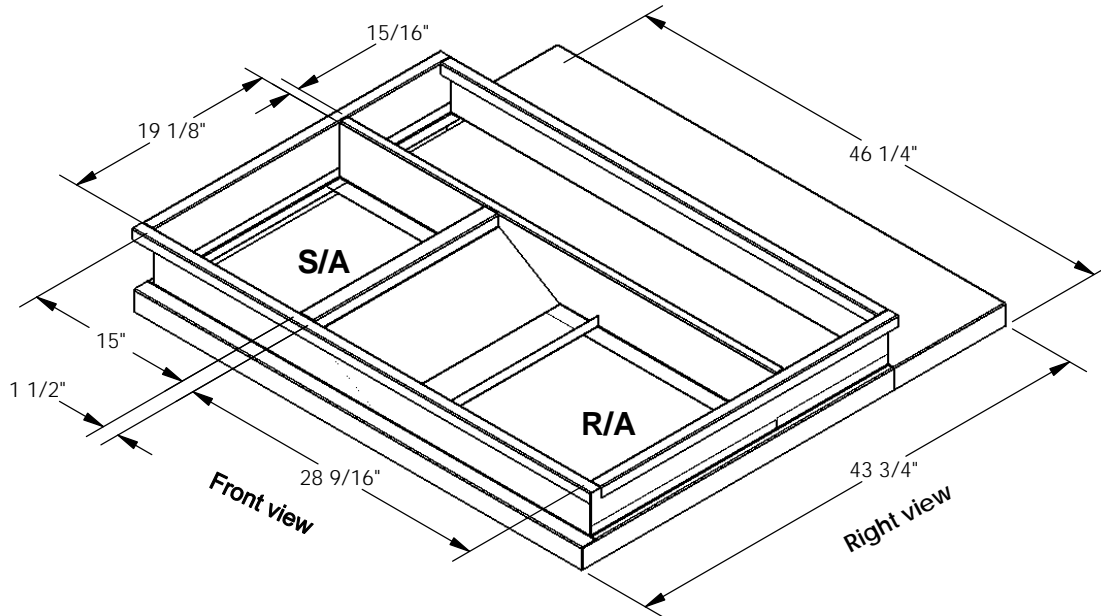
FEATURES:

- Material: 20 Ga. Bright Galv.
- Gasketing package provided.
- Insulation: 1"-1.5 lb. Density.
- Estimated Weight: 39 Lbs.

CURB ADAPTER

EXISTING YORK:
 DEB/BHH/BHA 018-060: DNZ/DEZ/DNP/DEM/BHZ/BHP 024-060: DEX 024-048:
 DNH/DEH 030-060: DNA 036-060: DNY/BHX 024, 036, 048, 060: DNX 024, 036, 048: DEY 060

FOR YORK UNITS:
 P**4A UNITS



3847 WABASH DR.
 MIRA LOMA, CA 91725

PHONE (951) 685-1101
 FAX (619) 872-9799

SUBMITTED TO: _____
 COMPANY: _____
 JOB NAME: _____
 EQUIPMENT: _____
 NOTES: _____

FORM NO:
 -

PART NUMBER:
 CA-LXS-YRK01

DATE:
 1/13/2016

REV:
 2

DRAWN BY:
 CNG