

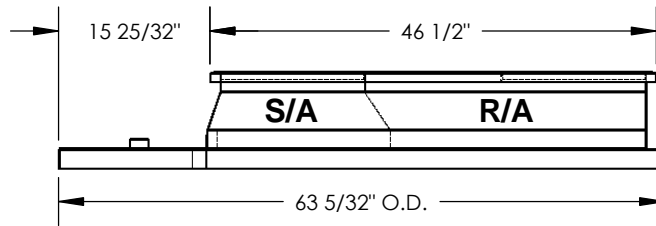
FEATURES:

- Gasketing package provided.
- Insulation: 1"-1.5 lb. Density.
- Estimated Weight: 86 Lbs.
- All Galvanized Welded Construction.

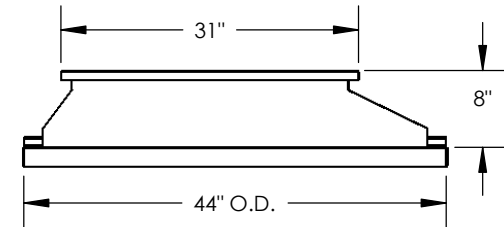
CURB ADAPTER

EXISTING TRANE:
WCC, TCC, YCC, YCP 048F- 060F

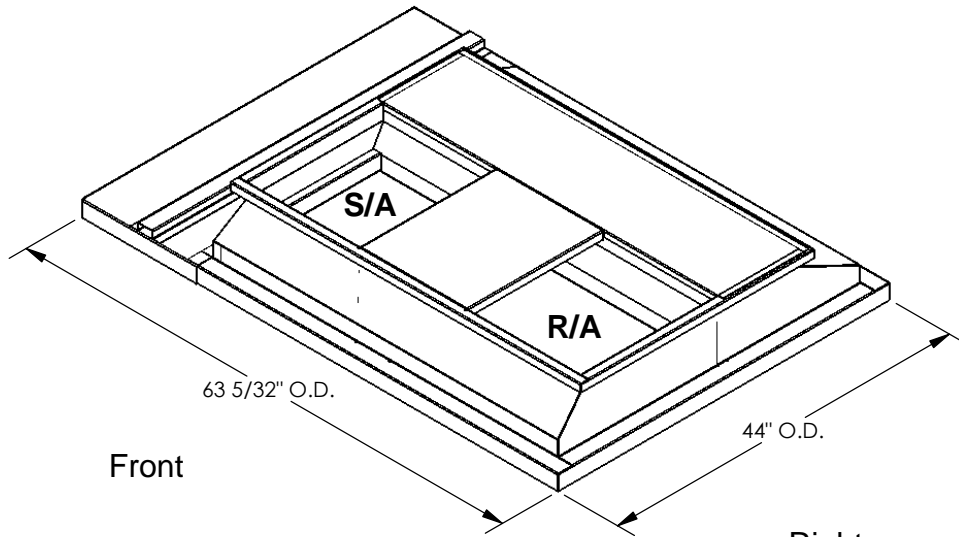
FOR YORK UNITS:
P**4A UNITS



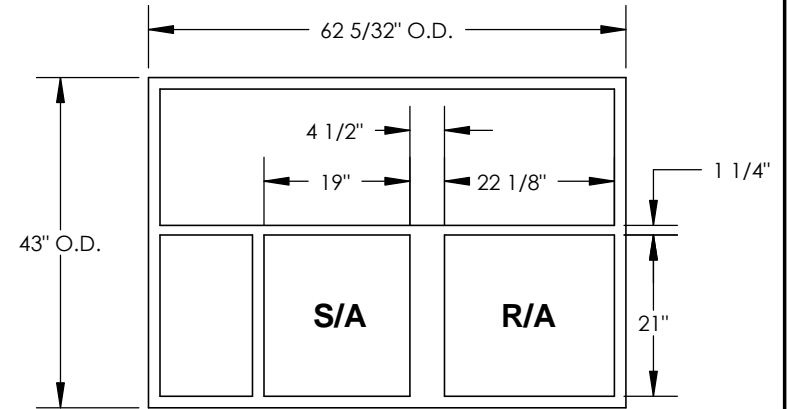
FRONT VIEW



RIGHT VIEW



ISOMETRIC VIEW



EXISTING CURB



3847 WABASH DRIVE
MIRA LOMA, CA 91752

PHONE (951) 685-1101
FAX (619) 872-9799

SUBMITTED TO: _____
COMPANY: _____
JOB NAME: _____
EQUIPMENT: _____
NOTES: _____

FORM NO: _____
DATE: 8/12/2016

PART NUMBER:
CA-LXS-TRN07
REV: -
DRAWN BY:
JG