

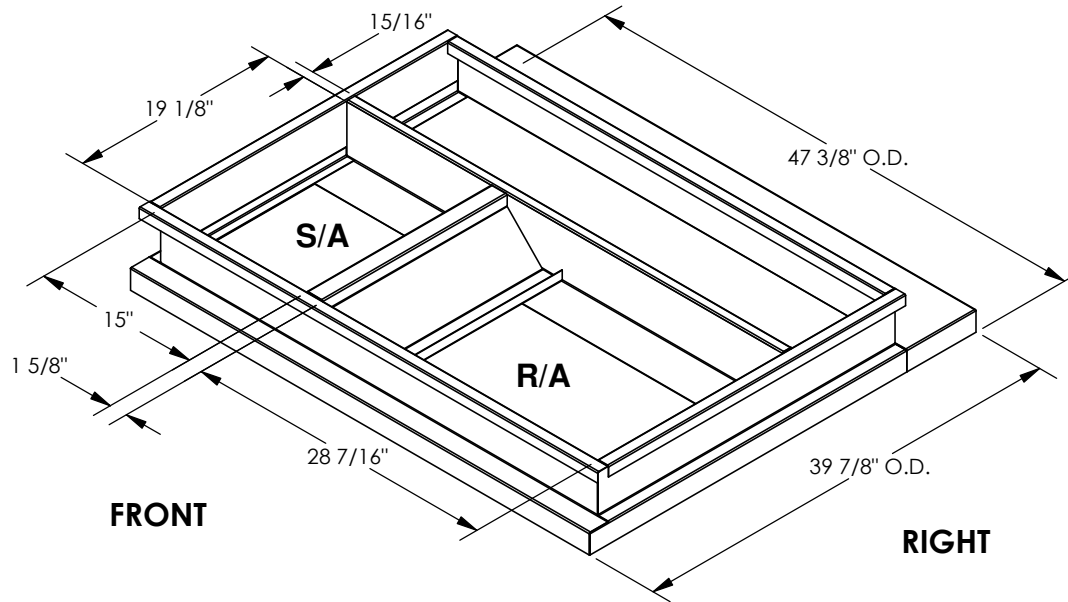
FEATURES:

- Material: Galvanized steel.
- Gasketing package provided.
- Insulation: 1"-1.5 lb. Density.
- Estimated Weight: 35 Lbs.

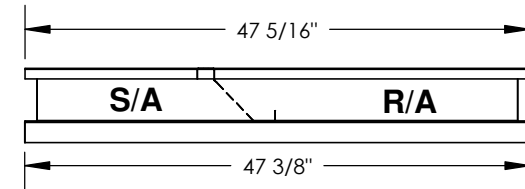
CURB ADAPTER

EXISTING TRANE:
2/4 YCC 018-036

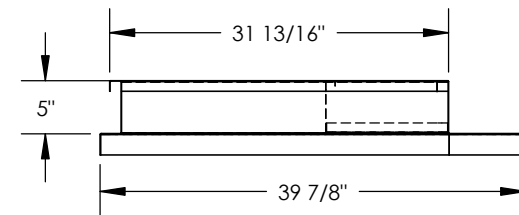
FOR YORK UNITS:
PCG4 024-042



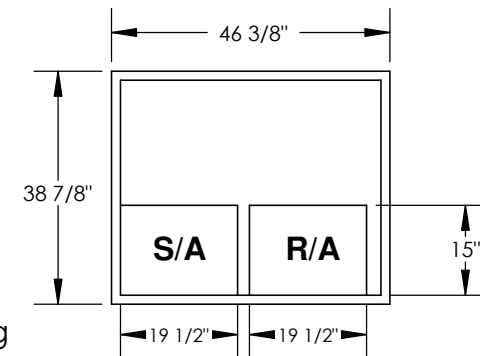
ISOMETRIC VIEW



FRONT VIEW



RIGHT VIEW



EXISTING CURB

NOTE: Curb dimensions and Return/ Supply openings must be verified prior to ordering due to the variance in Trane curbs from the Factory. ProVent cannot be responsible for fitment issues.



3847 WABASH DR.
MIRA LOMA, CA 91725

PHONE (951) 685-1101
FAX (619) 872-9799

SUBMITTED TO: _____
COMPANY: _____
JOB NAME: _____
EQUIPMENT: _____
NOTES: _____

FORM NO:
-

PART NUMBER:
CA-LXS-TRN01

DATE:
9/11/2015

REV:
2

DRAWN BY:
JG